



Midwest Aircraft Products Co.

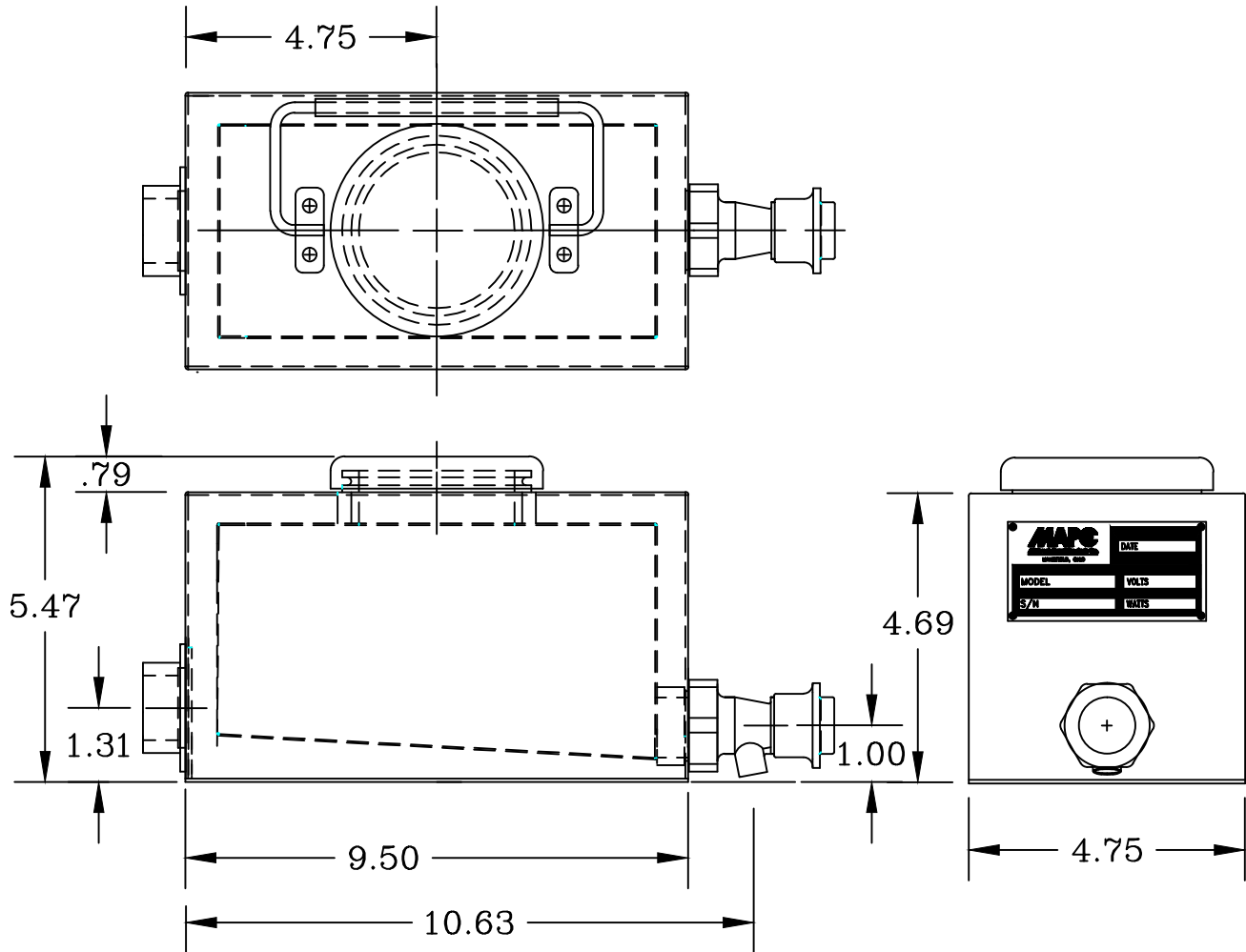
LEXINGTON, OHIO
(419)884-2164

PRODUCT INFORMATION

LIQUID CONTAINER

MODEL 1330

PART NO. D12156-20



SPECIFICATIONS:

- ELECTRICAL:** 28VOLTS - 120WATTS. OPERATION. 2 PIN PLUG.
THERMOSTAT CONTROLLED @ 165DEG. ± 7 DEG. F.
THERMOFUSED FOR OVERHEAT PROTECTION.
- CAPACITY:** APPROX. 2 QUARTS LIQUID.
- CONSTRUCTION:** DOUBLE WALL STAINLESS STEEL - INSULATED.
REMOVABLE STAINLESS STEEL BOTTOM FOR EASE OF
ELECTRICAL PARTS REPLACEMENT.
2.75 INCH FILL OPENING WITH VENTED CAP.
PUSH BUTTON SPIGOT.