



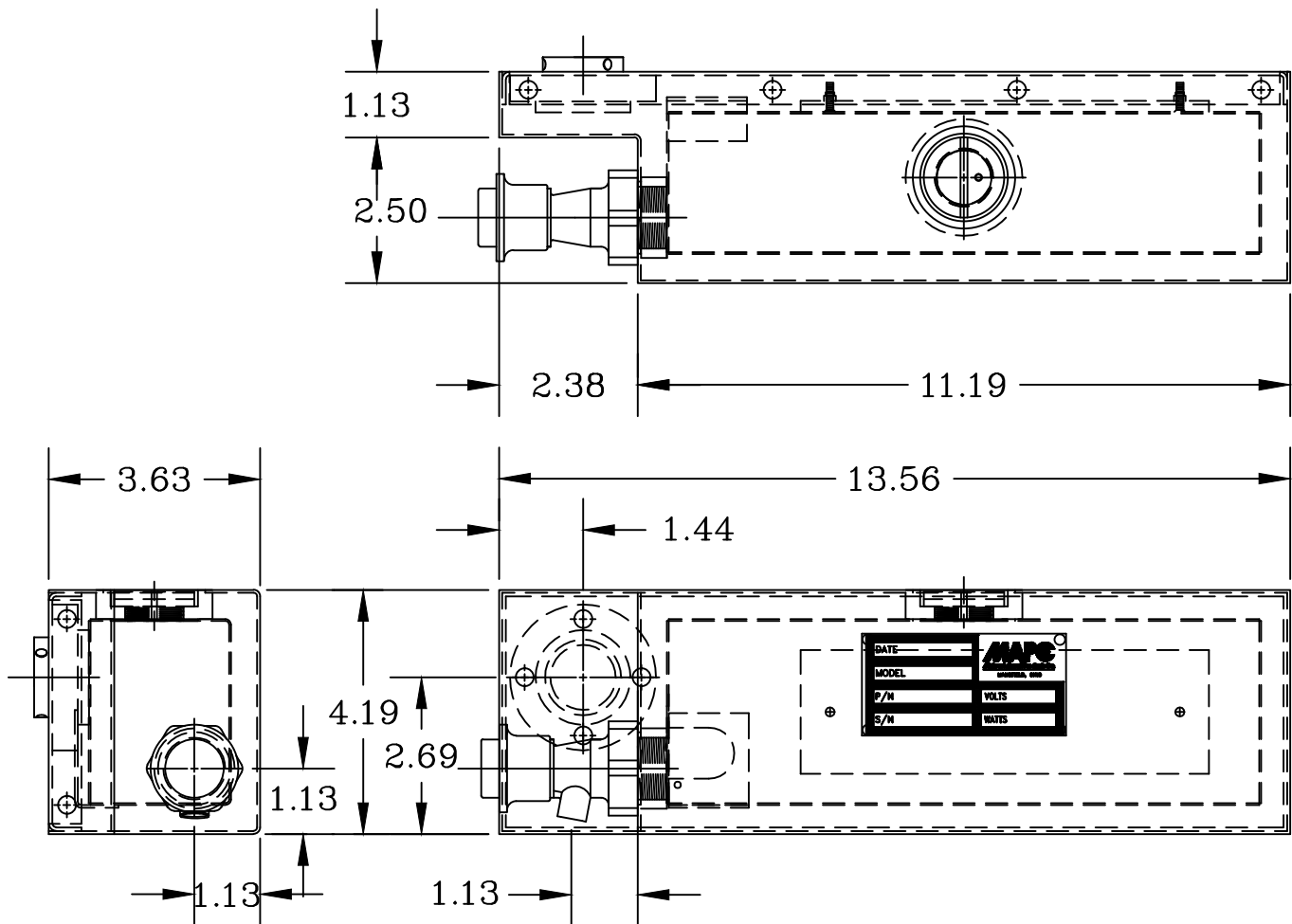
Midwest Aircraft Products Co.

LEXINGTON, OHIO
(419)884-2164

PRODUCT INFORMATION

LIQUID CONTAINER
MODEL 1264

PART NO. D11732-20



SPECIFICATIONS

ELECTRICAL: 28 VOLT - 120 WATT OPERATION. - 2 PIN PLUG
THERMOSTAT CONTROLLED @ 165 DEG. + OR - 7 DEG. F.
THERMOFUSED FOR OVERHEAT PROTECTION.

CONSTRUCTION: DOUBLE WALL STAINLESS STEEL - INSULATED.
REMOVABLE STAINLESS STEEL BACK FOR EASE OF
ELECTRICAL PARTS REPLACEMENT.
1.00 INCH FILL OPENING WITH VENTED CAP.
PUSH BUTTON SPIGOT

CAPACITY: 41.64 OZ. - 1.30 QUARTS