



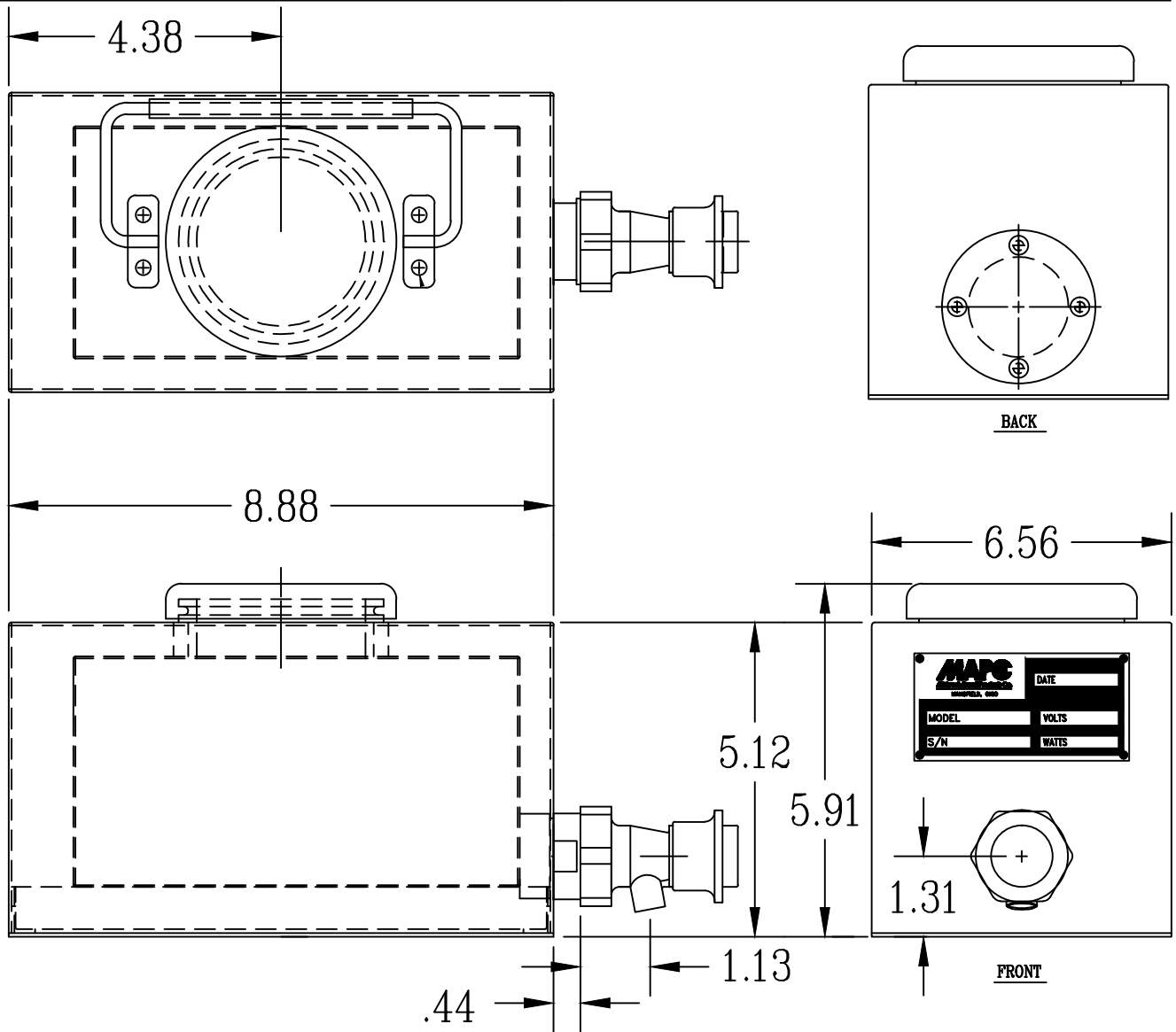
Midwest Aircraft Products Co.

LEXINGTON, OHIO
(419)884-2164

PRODUCT INFORMATION

LIQUID CONTAINER
MODEL 1248

PART NO. D11621-20



SPECIFICATIONS:

- CAPACITY: APPROX. 3.00 QUARTS (96 OZ.) LIQUID.
CONSTRUCTION: DOUBLE WALL STAINLESS STEEL - INSULATED.
REMOVABLE STAINLESS STEEL BOTTOM.
2.75 INCH FILL OPENING WITH VENTED CAP.
PUSH BUTTON SPIGOT.

THIS CONTAINER IS A MODEL 1189 WITH NO ELECTRICS