



Midwest Aircraft Products Co.

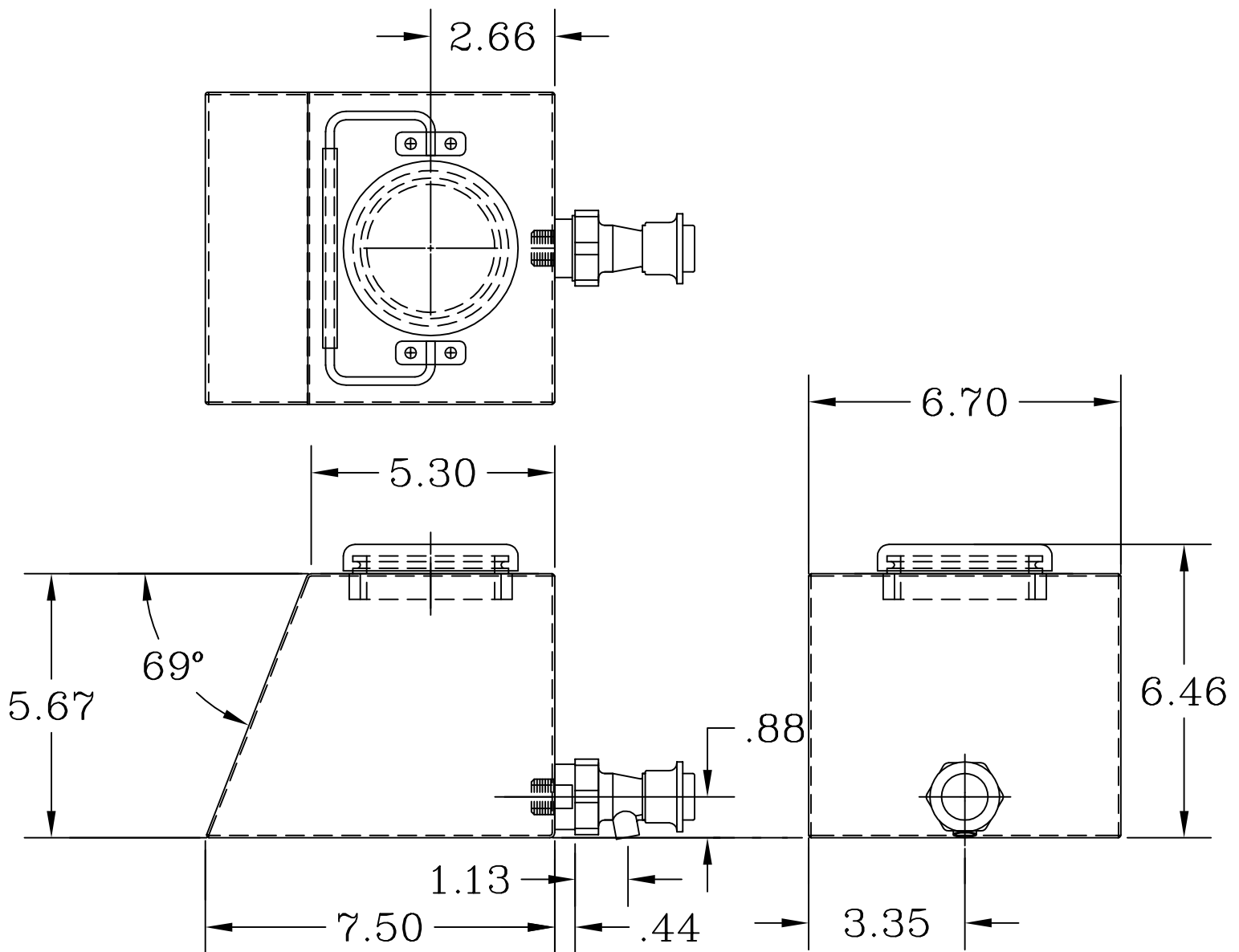
LEXINGTON, OHIO
(419)884-2164

PRODUCT INFORMATION

LIQUID CONTAINER

MODEL 1190

PART NO. D10894-20



SPECIFICATIONS

AMBIENT LIQUID ONLY
CAPACITY: 4 QUARTS LIQUID
128 U.S. OUNCES

ALL DIMS ARE FOR REFERENCE ONLY AND ARE SUBJECT TO CHANGE