

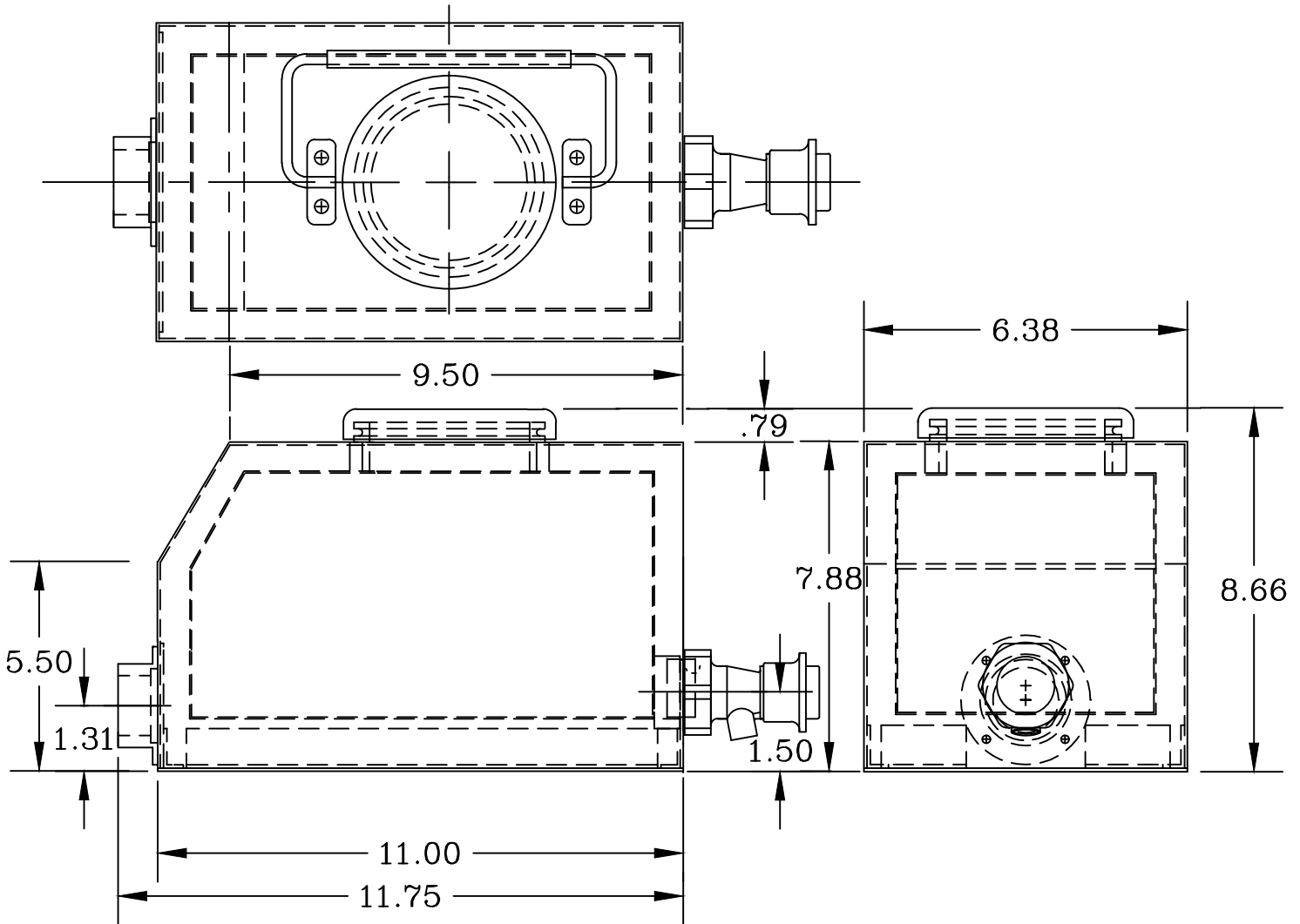


**Midwest Aircraft Products Co.**

LEXINGTON, OHIO  
(419)884-2164

## PRODUCT INFORMATION

LIQUID CONTAINER  
MODEL 1332  
PART NO. D12170-20



### SPECIFICATIONS:

ELECTRICAL: 28/115 VOLTS - 120 WATTS. OPERATION. 3 PIN PLUG.  
THERMOSTAT CONTROLLED @ 165DEG. ± 7 DEG. F.  
THERMOFUSED FOR OVERHEAT PROTECTION.

CONSTRUCTION: DOUBLE WALL STAINLESS STEEL - INSULATED.  
REMOVABLE STAINLESS STEEL BOTTOM FOR EASE OF  
ELECTRICAL PARTS REPLACEMENT.  
2.75 INCH FILL OPENING WITH VENTED CAP.  
PUSH BUTTON SPIGOT.

CAPACITY: 1.4 GL.

CALCULATED EMPTY WEIGHT: 10.5 LBS.