



Midwest Aircraft Products Co.

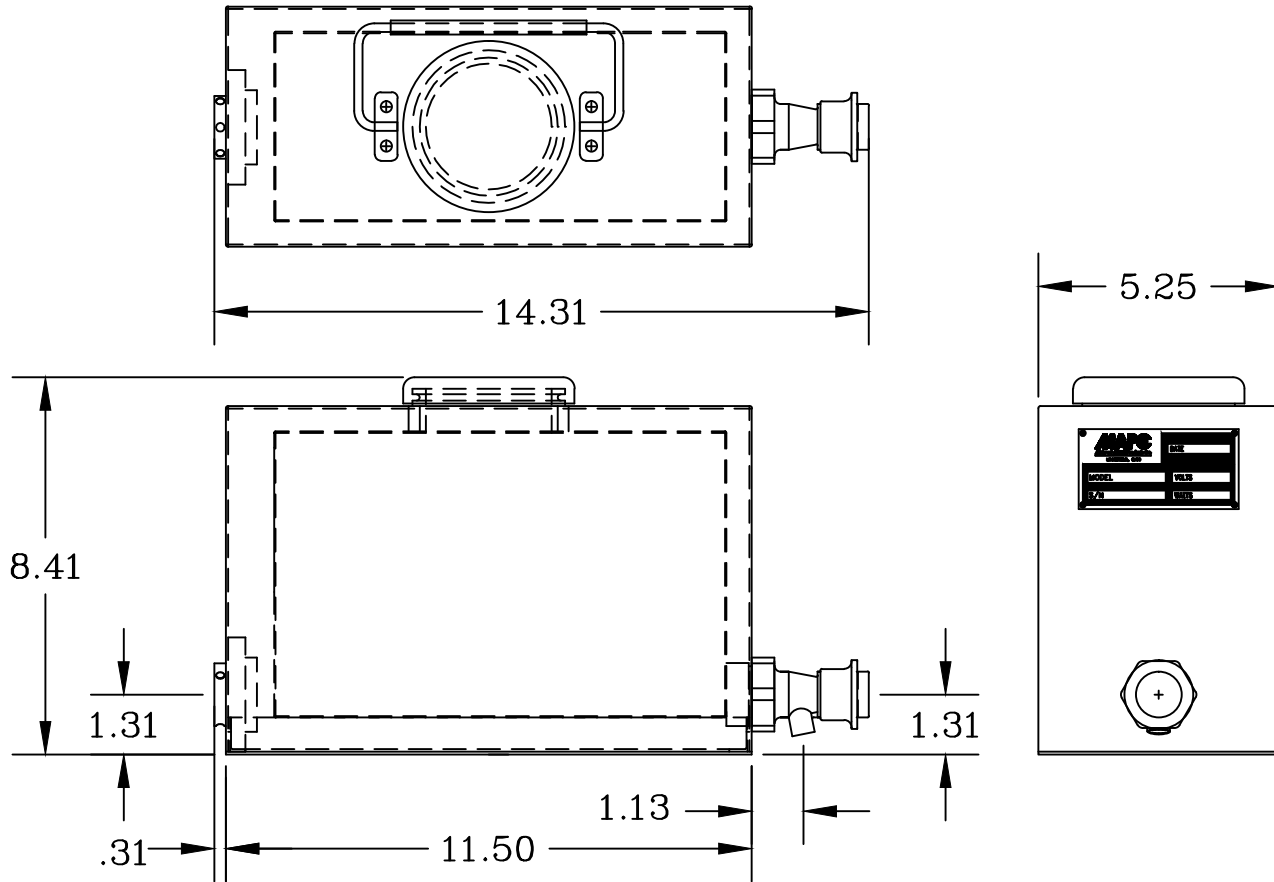
LEXINGTON, OHIO
(419)884-2164

PRODUCT INFORMATION

LIQUID CONTAINER

MODEL 1303

PART NO. D12036-20



SPECIFICATIONS:

ELECTRICAL: 28/115 VOLTS - 120WATTS. OPERATION. 3 PIN PLUG.
THERMOSTAT CONTROLLED @ 165DEG. ± 7 DEG. F.
THERMOFUSED FOR OVERHEAT PROTECTION.
ELECTRICAL CONNECTOR HAS FLOATING
ADAPTER, .09 EACH WAY FROM STANDARD
CONNECTOR.

CONSTRUCTION: DOUBLE WALL STAINLESS STEEL - INSULATED.
REMOVABLE STAINLESS STEEL BOTTOM FOR EASE OF
ELECTRICAL PARTS REPLACEMENT.
2.75 INCH FILL OPENING WITH VENTED CAP.
PUSH BUTTON SPIGOT.

CAPACITY: 1.07 GL.