



**Midwest Aircraft Products Co.**

*LEXINGTON, OHIO*  
*(419)884-2164*

PRODUCT INFORMATION

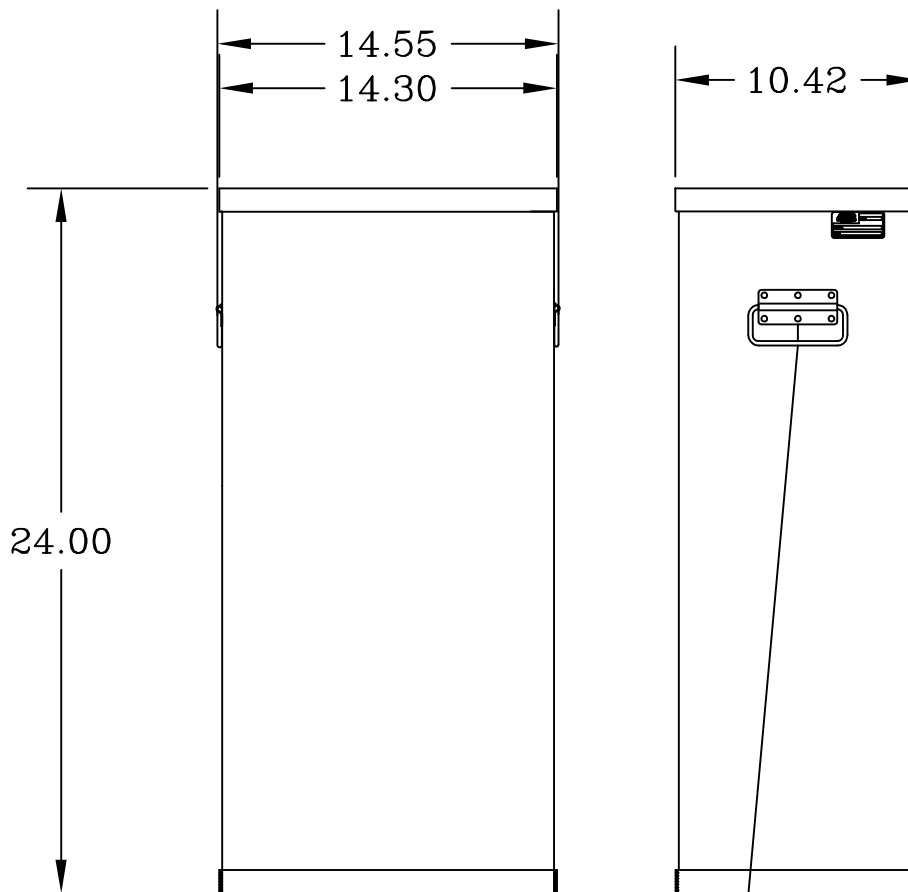
WASTE CONTAINER

MODEL 1301

PART NO. D11961-20

CONSTRUCTION

CONTAINER OF ALUMINUM ALLOY. HELIARC WELDED, SPOTWELDED, RIVETED, AND SEALED FOR A DURABLE WATERTIGHT CONTAINER. USED WITH MODEL #1242, & #1231 1/2 SIZE WASTE CARTS



STAINLESS STEEL HANDLE  
ON BOTH SIDES.

THIS CONTAINER FITS ALL 1/2 SIZE MODEL CARTS  
OR CAN BE USED INDEPENDENTLY.