



Midwest Aircraft Products Co.

*LEXINGTON, OHIO
(419)884-2164*

PRODUCT INFORMATION

OVEN TRAY INSERT

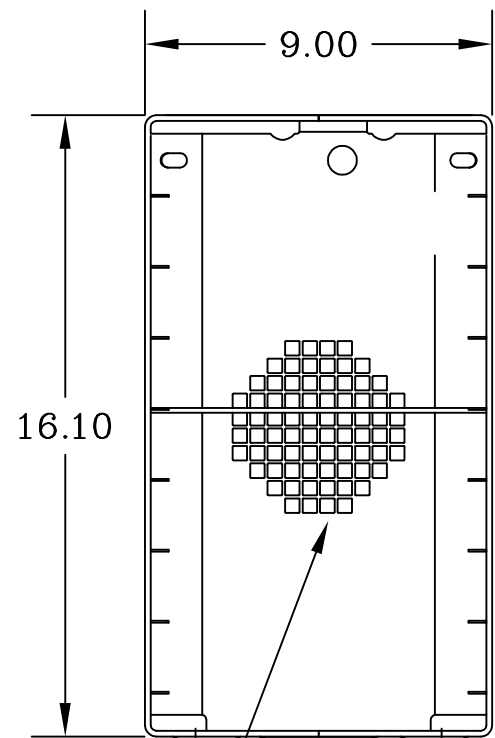
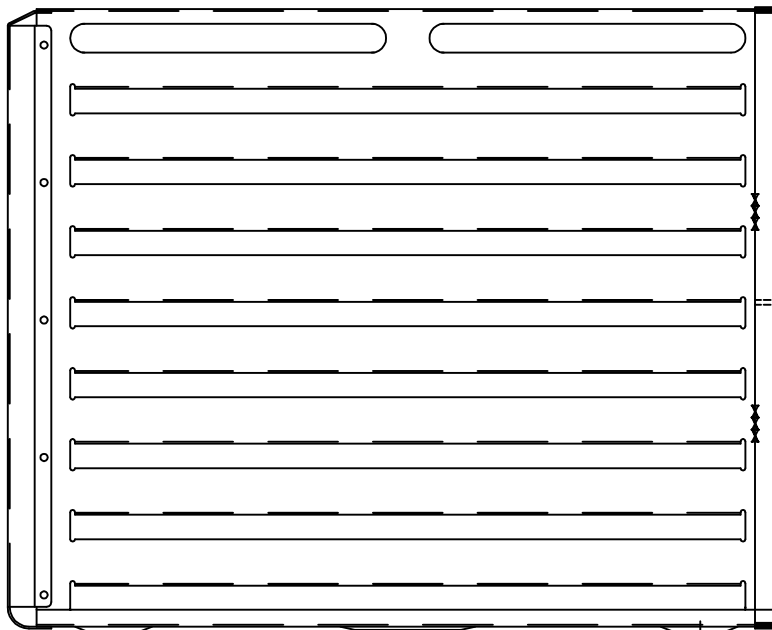
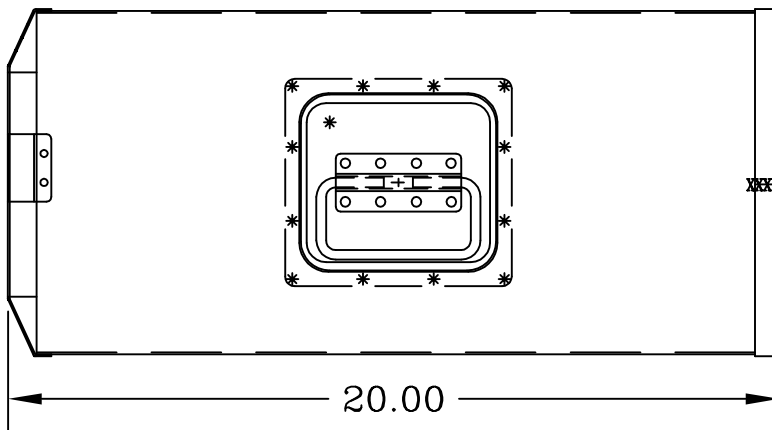
MODEL 1291

PART NO. D11894-20

CONSTRUCTION

CARRIER OF ALUMINUM ALLOY. ALUMINUM TOP CARRYING HANDLE. HELIARC WELDED, SPOT WELDED AND RIVETED FOR MAXIMUM DURABILITY.

CAPACITY: (8) MODEL #1292 TRAYS



REAR FAN HOLE.