

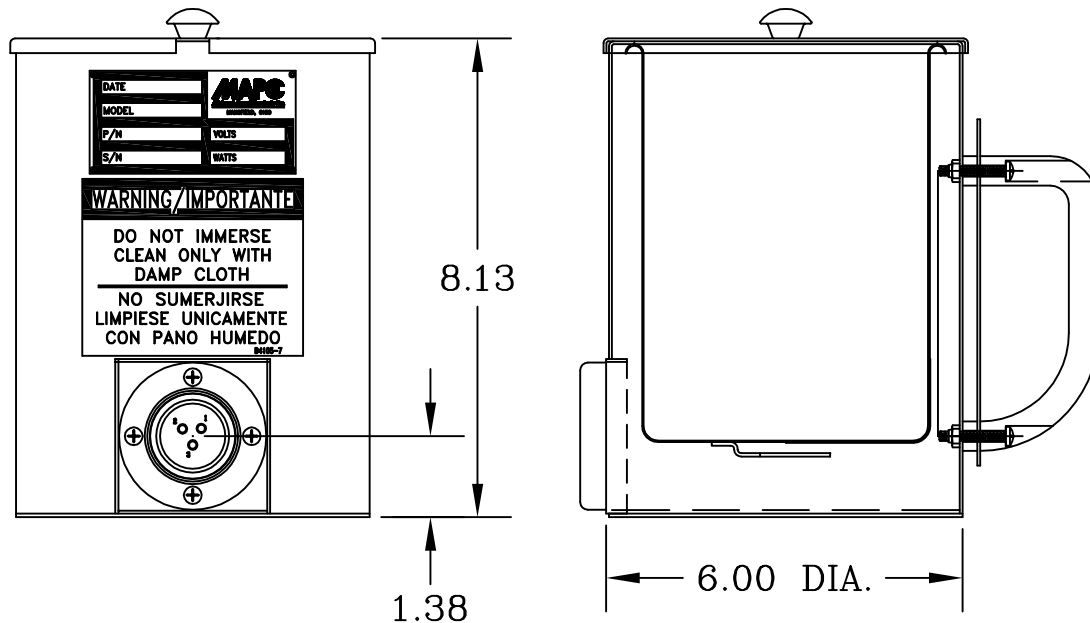
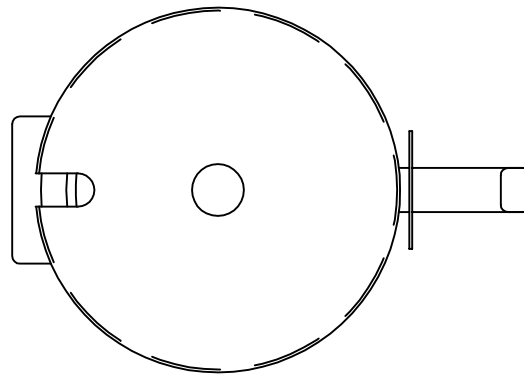


Midwest Aircraft Products Co.

LEXINGTON, OHIO
(419)884-2164

PRODUCT INFORMATION

HOT CUP
MODEL 1289
PART NO. D11866-10



SPECIFICATIONS

ELECTRICAL: 28/115 VOLT - 120 WATT OPERATION. - 3 PIN PLUG
THERMOSTAT CONTROLLED @ 150 DEG. + OR - 7 DEG. F.
THERMOFUSED FOR OVERHEAT PROTECTION

CONSTRUCTION: DOUBLE WALL STAINLESS STEEL - INSULATED.
REMOVABLE STAINLESS STEEL BOTTOM FOR EASE OF
ELECTRICAL PARTS REPLACEMENT.
TEFLON COATED INSIDE--**OPTIONAL**

CAPACITY: 2.080 QUARTS