



Midwest Aircraft Products Co.

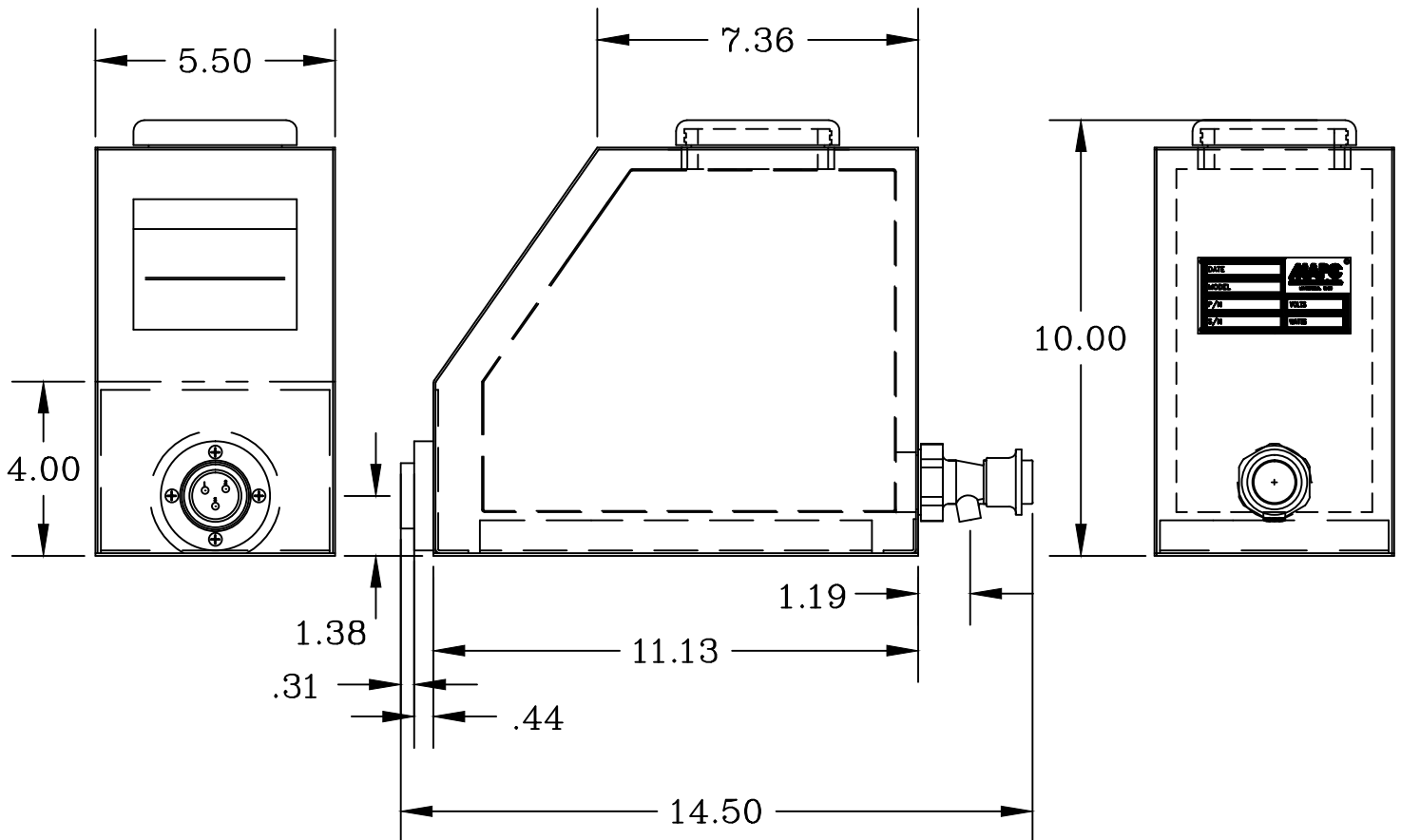
LEXINGTON, OHIO
(419)884-2164

PRODUCT INFORMATION

LIQUID CONTAINER

MODEL 1288

PART NO. D11865-20



SPECIFICATIONS

ELECTRICAL: 28/115 VOLT - 120 WATT OPERATION. - 3 PIN PLUG
THERMOSTAT CONTROLLED @ 165 DEG. ± 7 DEG. F.
THERMIFUSE FOR OVERHEAT PROTECTION

CONSTRUCTION: DOUBLE WALL STAINLESS STEEL - INSULATED.
REMOVABLE STAINLESS STEEL BOTTOM FOR EASE OF
ELECTRICAL PARTS REPLACEMENT.
2.75 INCH FILL OPENING WITH VENTED CAP.
PUSH BUTTON SPIGOT

CAPACITY: 165.27 OZ. - 5.152 QUARTS - 1.288 Gal.

EMPTY WEIGHT: 10 Pounds