



Midwest Aircraft Products Co.

LEXINGTON, OHIO
(419)884-2164

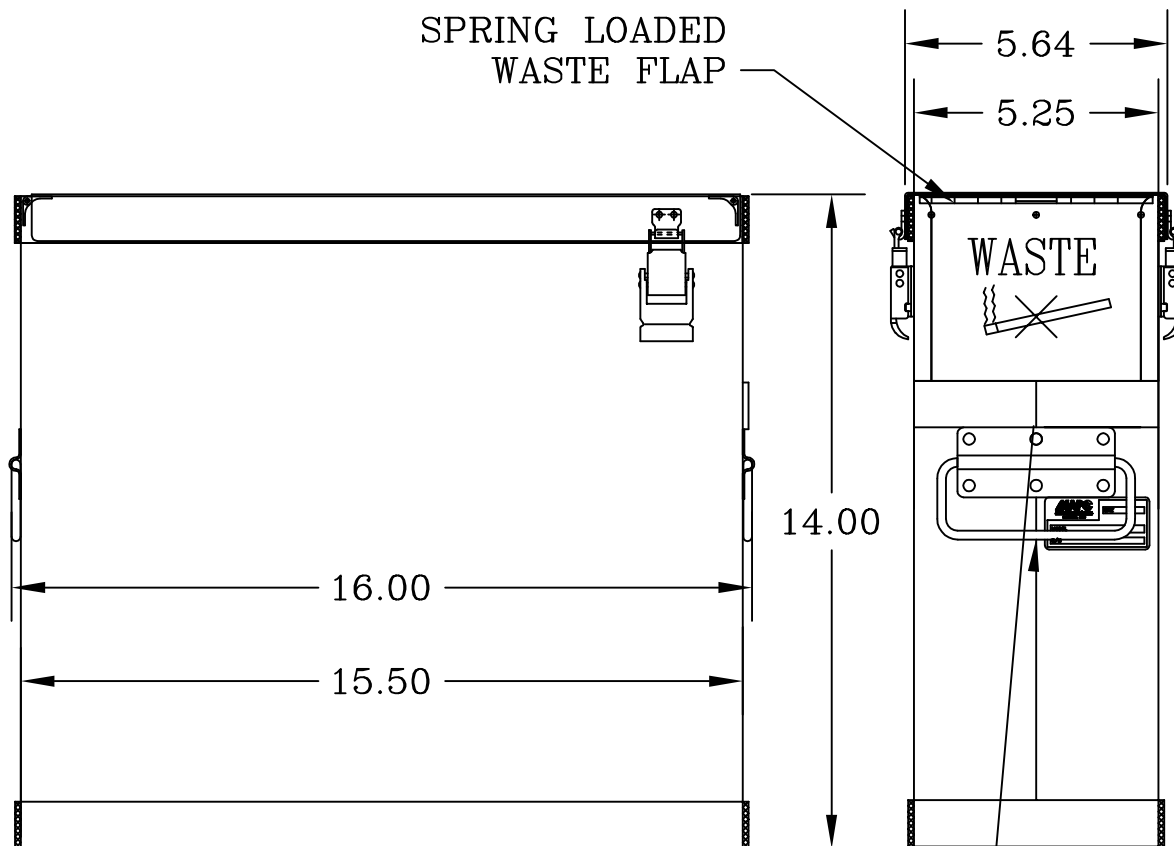
PRODUCT INFORMATION

WASTE CONTAINER
MODEL 1286

PART NO. D11891-20

CONSTRUCTION

CONTAINER OF ALUMINUM ALLOY. HELIARC WELDED, SPOTWELDED, RIVETED, AND SEALED FOR A DURABLE WATERTIGHT CONTAINER. WASTE CONTAINER CAN BE USED WITHOUT LID - P/N D11863-20



STAINLESS STEEL HANDLE
ON BOTH SIDES.