



Midwest Aircraft Products Co.

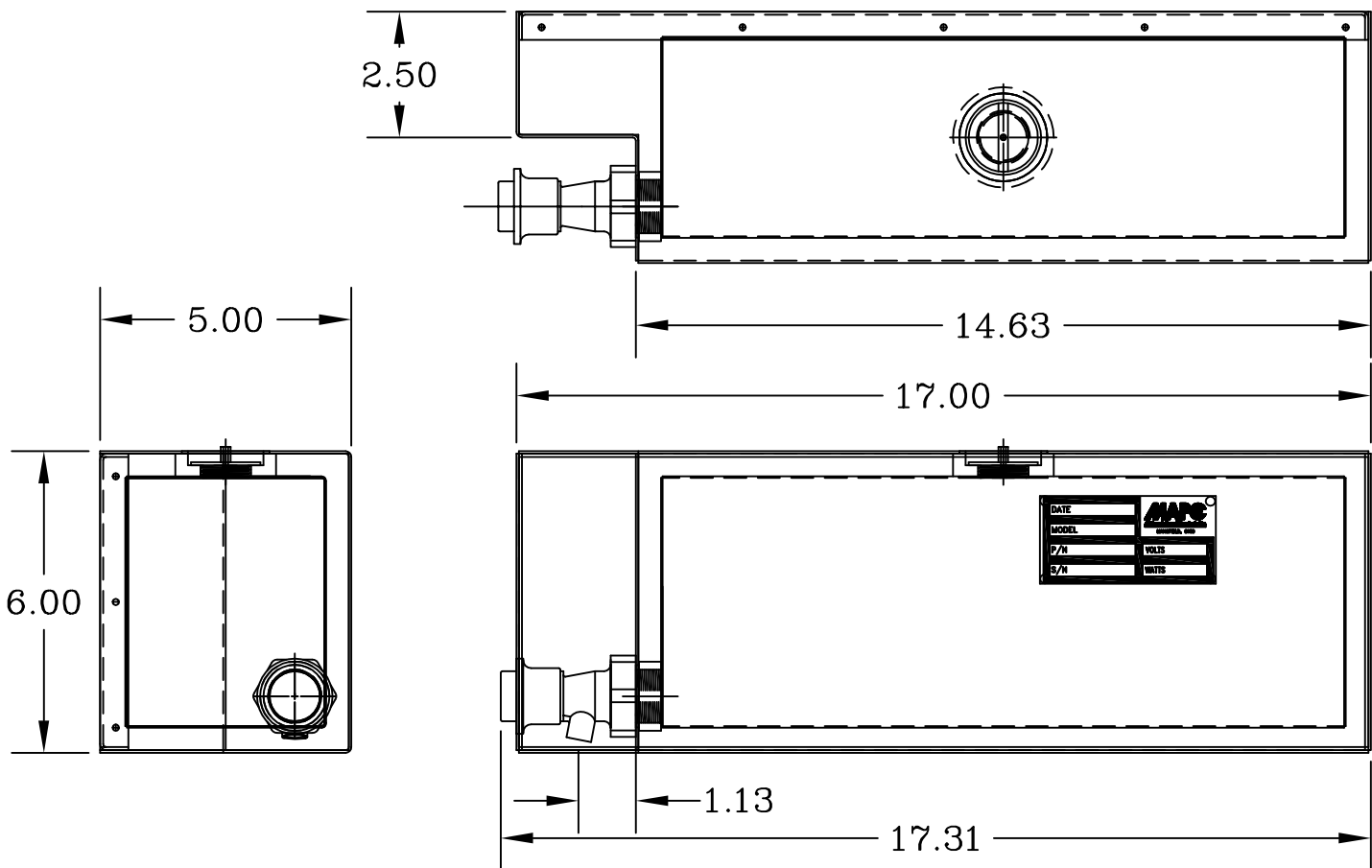
LEXINGTON, OHIO
(419)884-2164

PRODUCT INFORMATION

LIQUID CONTAINER

MODEL 1282-200

PART NO. D11856-20



SPECIFICATIONS

CONSTRUCTION: DOUBLE WALL STAINLESS STEEL - INSULATED.
REMOVABLE STAINLESS STEEL BACK
1.00 INCH FILL OPENING WITH VENTED CAP.
PUSH BUTTON SPIGOT

CAPACITY: 1.1 GALLONS