



**Midwest Aircraft Products Co.**

LEXINGTON, OHIO  
(419)884-2164

PRODUCT INFORMATION

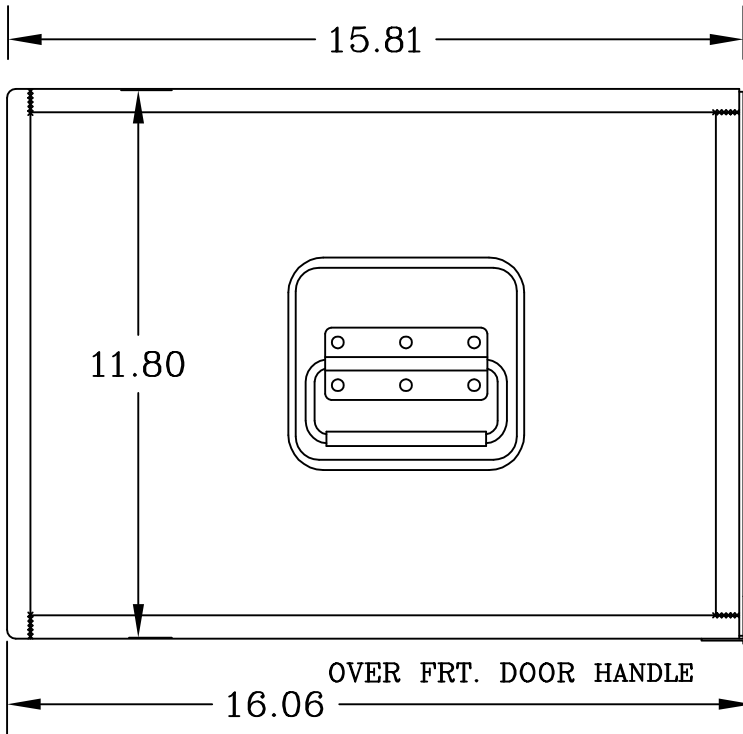
TRAY CARRIER

MODEL 1271

PART NO. D11783-20

CONSTRUCTION

ALL PARTS ALUMINUM ALLOY EXCEPT LATCH,  
CARRYING HANDLE AND LOCK TAB OF STAINLESS STEEL.



ALL PARTS ARE SPOT WELDED,  
SEAM WELDED OR RIVETED  
TOGETHER TO FORM A DURABLE  
ASSEMBLY.

CAPACITY: HOLDS 6-TRAYS  
MODEL #1280, P/N C11806-7

