



Midwest Aircraft Products Co.

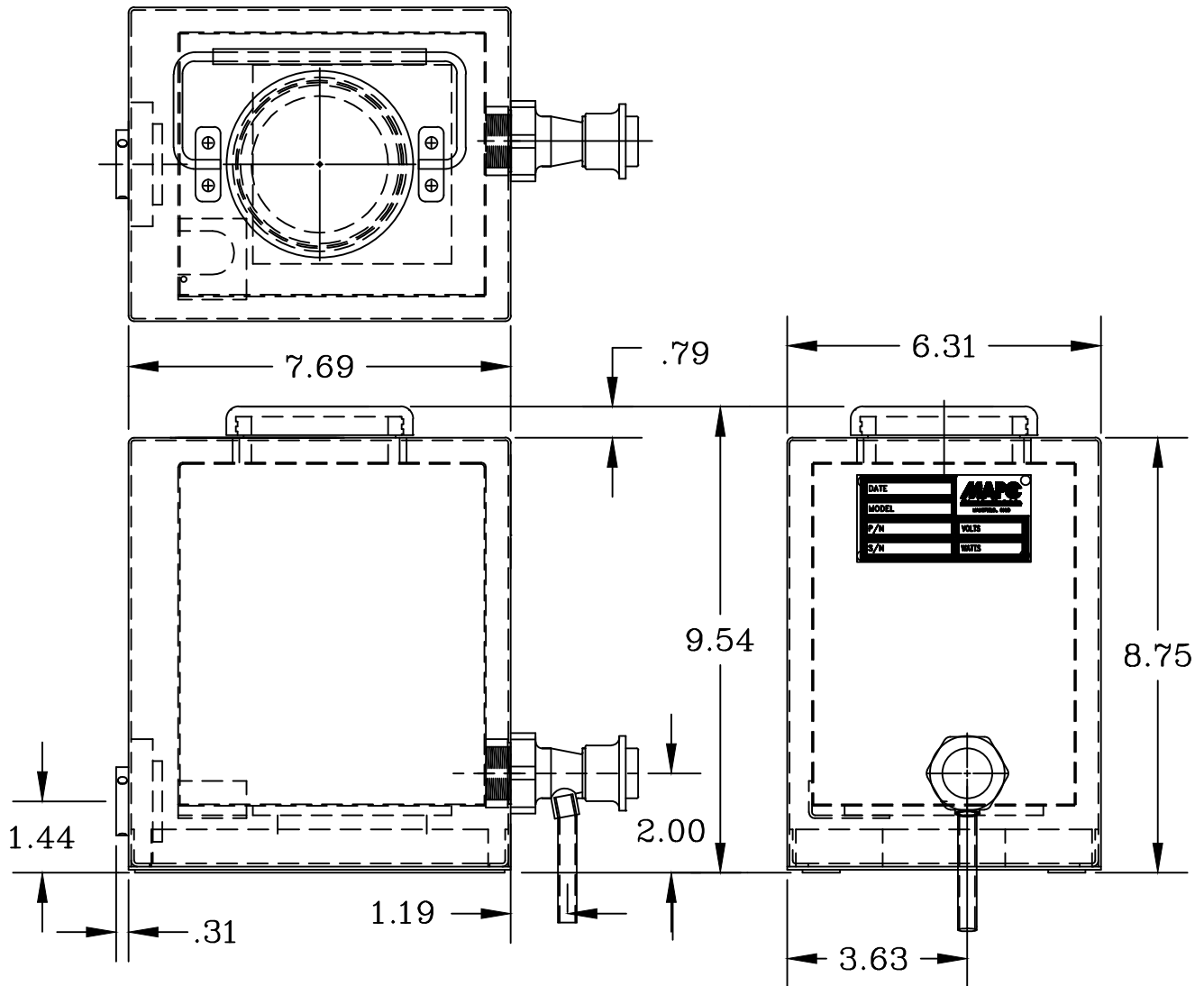
LEXINGTON, OHIO
(419)884-2164

PRODUCT INFORMATION

LIQUID CONTAINER

MODEL 1267

PART NO. D11744-20



SPECIFICATIONS

ELECTRICAL: 28/115 VOLT - 120 WATT OPERATION. - 3 PIN PLUG
THERMOSTAT CONTROLLED @ 165 DEG. ± 7 DEG. F.
THERMOFUSE FOR OVERHEAT PROTECTION

CONSTRUCTION: DOUBLE WALL STAINLESS STEEL - INSULATED.
REMOVABLE STAINLESS STEEL BOTTOM FOR EASE OF
ELECTRICAL PARTS REPLACEMENT.
2.75 INCH FILL OPENING WITH VENTED CAP.
PUSH BUTTON EXTENDED SPIGOT

CAPACITY: 121.9 OZ. - 3.8 QUARTS

EMPTY WEIGHT: 8.4 LBS. (3.81 KG)