



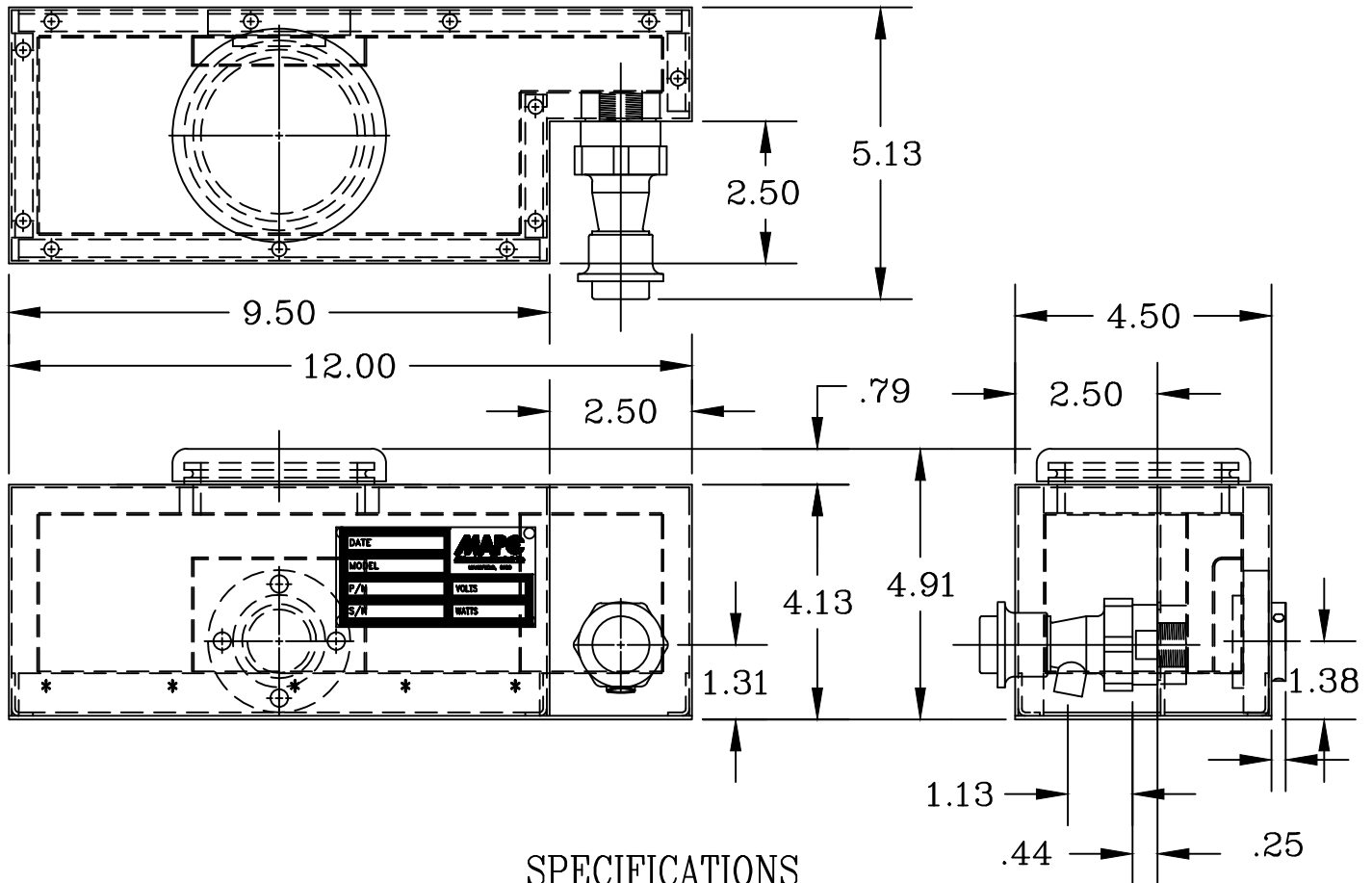
**Midwest Aircraft Products Co.**

LEXINGTON, OHIO  
(419)884-2164

PRODUCT INFORMATION

LIQUID CONTAINER  
MODEL 1263

PART NO. D11720-20



SPECIFICATIONS

ELECTRICAL: 28 VOLT - 120 WATT OPERATION. - 2 PIN PLUG  
THERMOSTAT CONTROLLED @ 165 DEG. ± 7 DEG. F.  
THERMOFUSED FOR OVERHEAT PROTECTION.

CONSTRUCTION: DOUBLE WALL STAINLESS STEEL - INSULATED.  
REMOVABLE STAINLESS STEEL BOTTOM FOR EASE OF  
ELECTRICAL PARTS REPLACEMENT.  
2.75 INCH FILL OPENING WITH VENTED CAP.  
PUSH BUTTON SPIGOT

CAPACITY: 47.75 OZ. - 1.49 QUARTS