

MAPC

Midwest Aircraft Products Co.

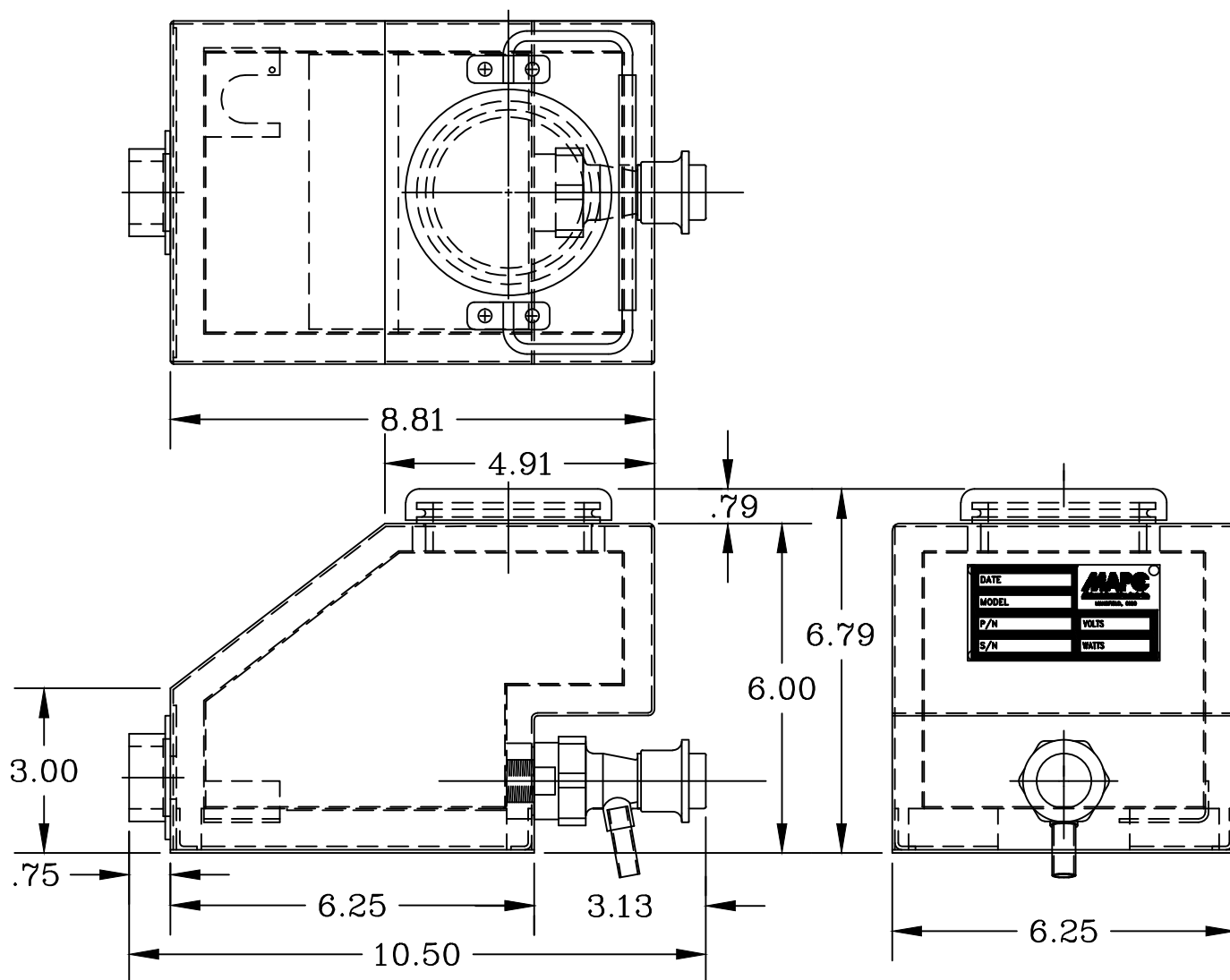
LEXINGTON OHIO
(419)884-2164

PRODUCT INFORMATION

LIQUID CONTAINER

MODEL 1261

PART NO. D11689-20



SPECIFICATIONS

ELECTRICAL: 28 VOLT - 100 WATT OPERATION. - 3 PIN PLUG
THERMOSTAT CONTROLLED @ 165 DEG. ± 7 DEG. F.
THERMOFUSED FOR OVERHEAT PROTECTION

CONSTRUCTION: DOUBLE WALL STAINLESS STEEL - INSULATED.
REMOVABLE STAINLESS STEEL BOTTOM FOR EASE OF
ELECTRICAL PARTS REPLACEMENT.
2.75 INCH FILL OPENING WITH VENTED CAP.
PUSH BUTTON SPIGOT WITH EXTENSION
CAPACITY: 60 OUNCES