



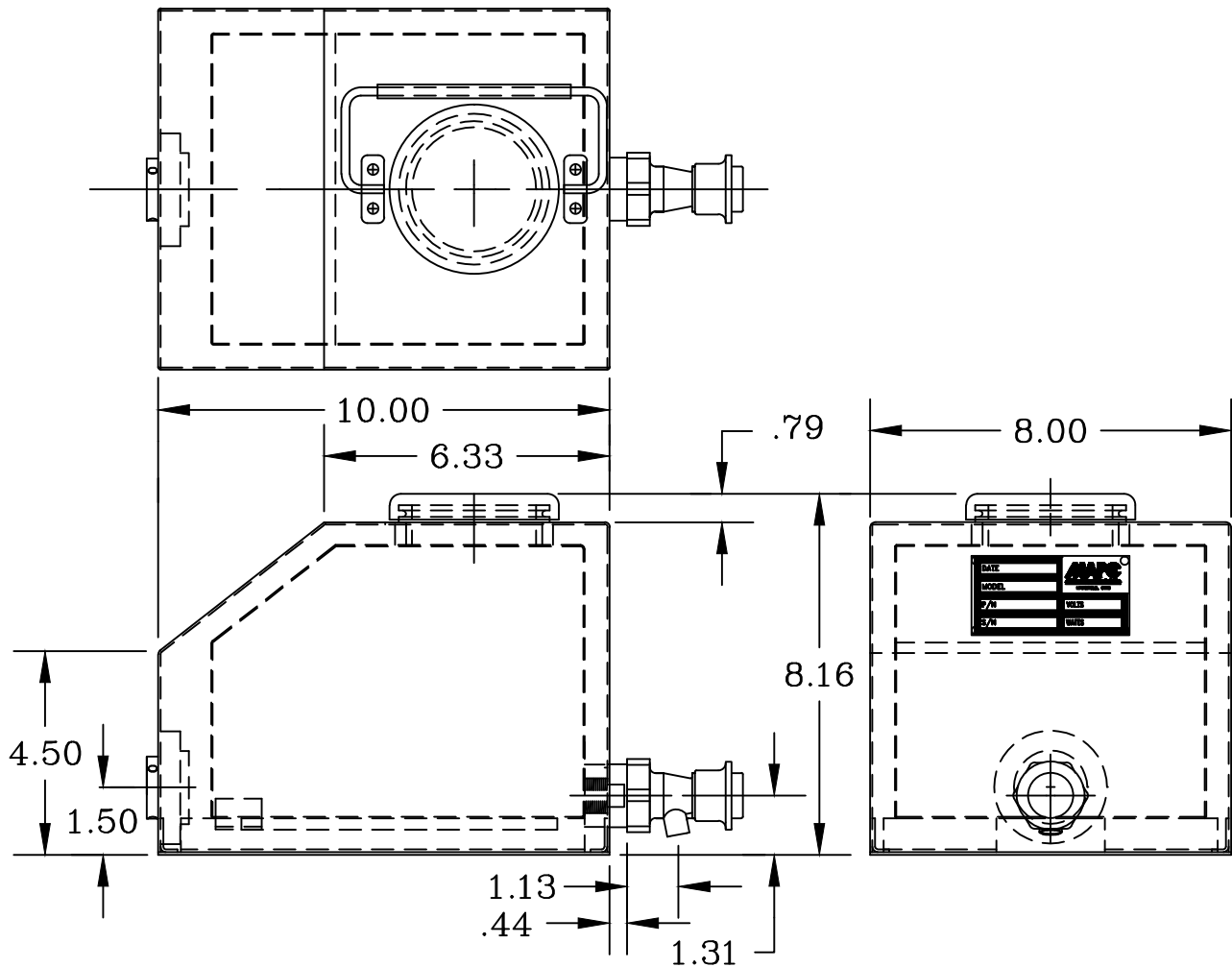
**Midwest Aircraft Products Co.**

LEXINGTON, OHIO  
(419)884-2164

PRODUCT INFORMATION

LIQUID CONTAINER  
MODEL 1247

PART NO. D11588-20



SPECIFICATIONS

ELECTRICAL: 28/115 VOLT - 120WATT OPERATION. 3 PIN PLUG  
THERMOSTAT CONTROLLED @ 165DEG. +OR- 7DEG. F.  
THERMOFUSED FOR OVERHEAT PROTECTION.

CONSTRUCTION: DOUBLE WALL STAINLESS STEEL - INSULATED.  
REMOVABLE STAINLESS STEEL BOTTOM FOR EASE OF  
ELECTRICAL PARTS REPLACEMENT.  
2.75 INCH FILL OPENING WITH VENTED CAP.  
PUSH BUTTON SPIGOT.

CAPACITY: 1.6 GALLONS

ALL DIMS ARE FOR REFERENCE ONLY AND ARE SUBJECT TO CHANGE