



Midwest Aircraft Products Co.

LEXINGTON, OHIO
(419)884-2164

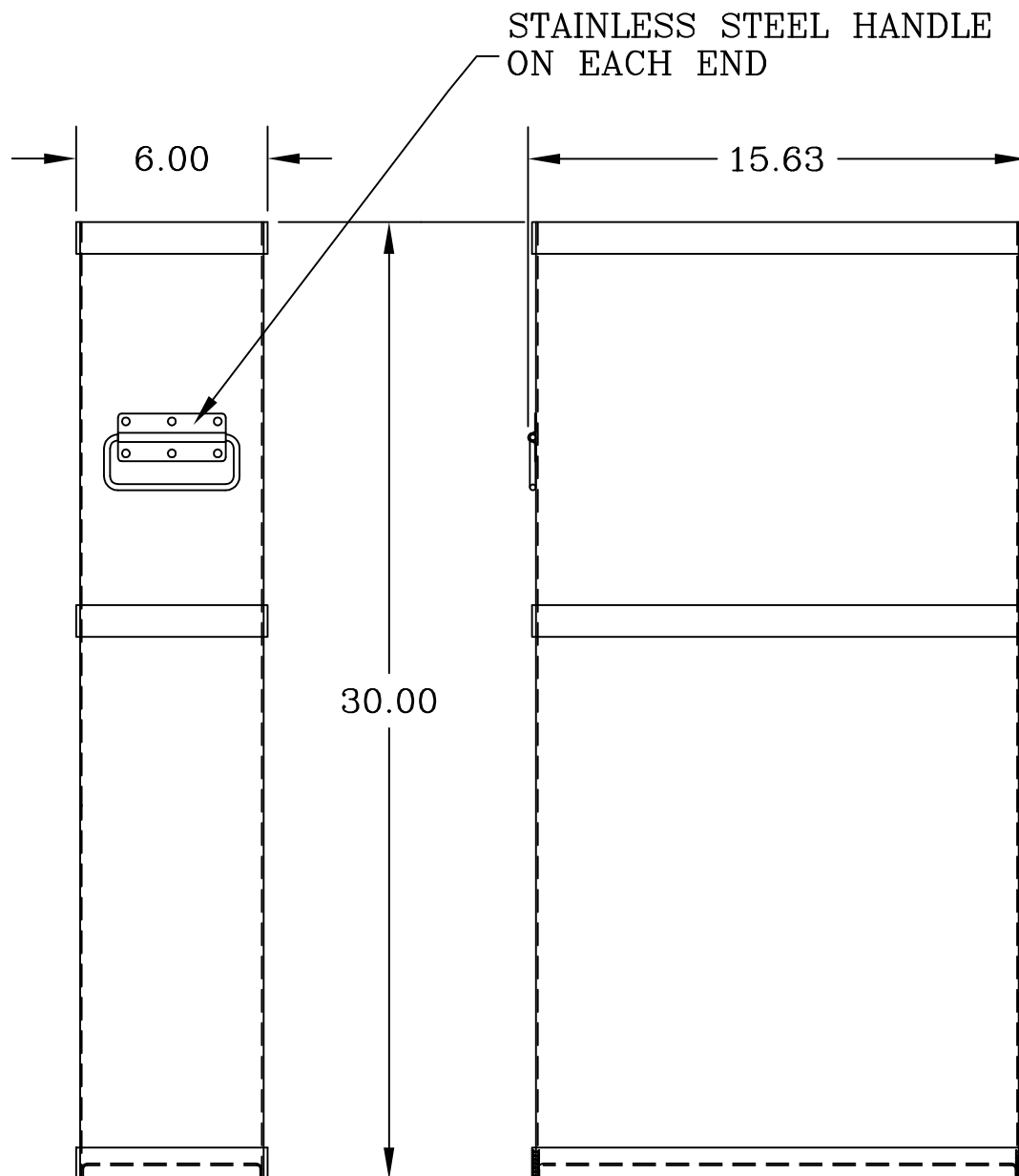
PRODUCT INFORMATION

WASTE CONTAINER
MODEL 1222

PART NO. D11227-20

CONSTRUCTION

CONTAINER OF ALUMINUM ALLOY. HELIARC WELDED, SPOTWELDED, RIVETED, AND SEALED FOR A DURABLE WATERTIGHT CONTAINER.



REF. CUSTOMER P/N.: AFSER #6B25-39258-1