

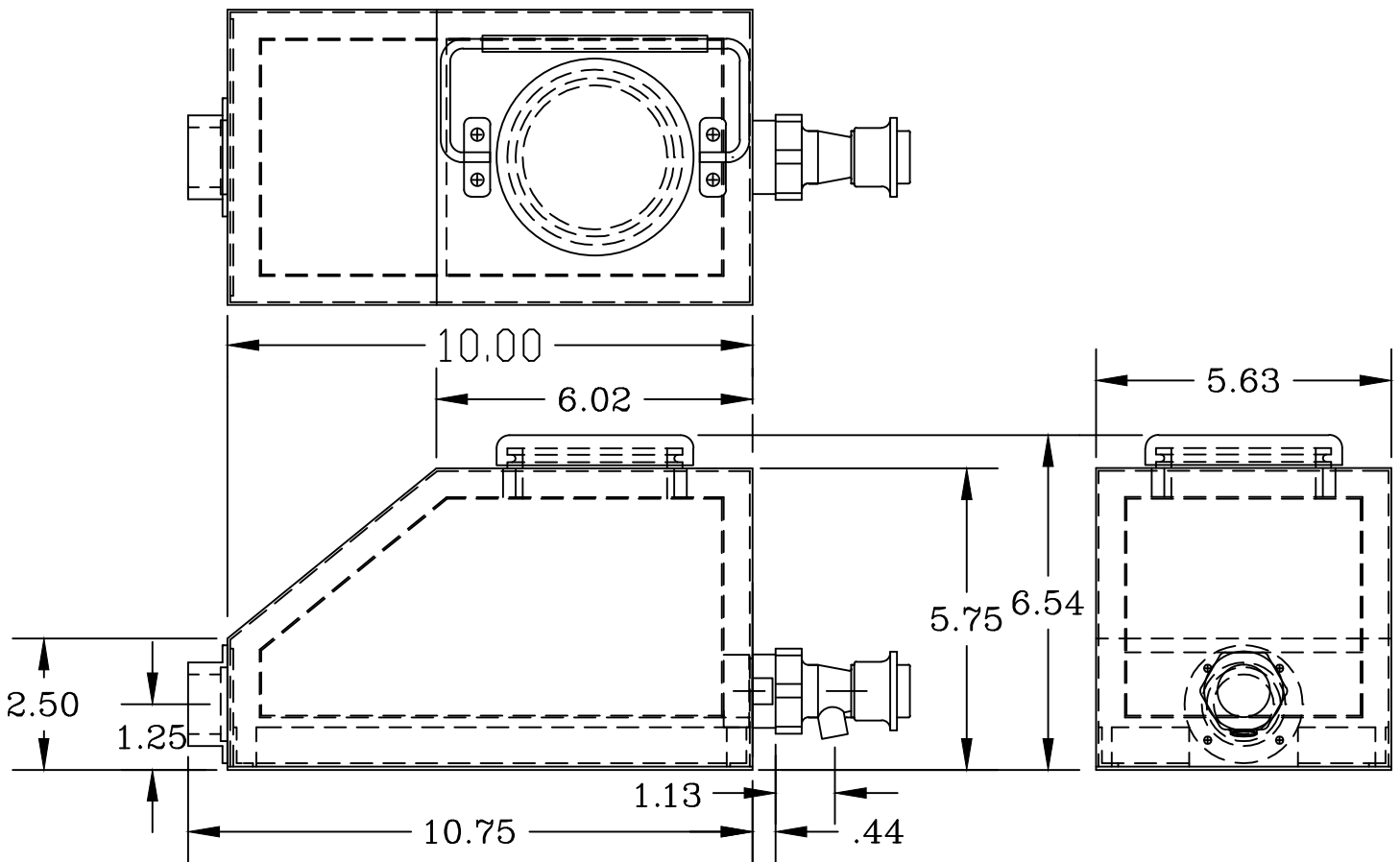


Midwest Aircraft Products Co.

LEXINGTON, OHIO
(419)884-2164

PRODUCT INFORMATION

LIQUID CONTAINER
MODEL 1221
PART NO. D11221-20



SPECIFICATIONS:

ELECTRICAL: 28 VOLTS - 120 WATTS. OPERATION. 2 PIN PLUG.
THERMOSTAT CONTROLLED @ 165DEG. +OR- 7 DEG. F.
THERMOFUSED FOR OVERHEAT PROTECTION.

CONSTRUCTION: DOUBLE WALL STAINLESS STEEL - INSULATED.
REMOVABLE STAINLESS STEEL BOTTOM FOR EASE OF
ELECTRICAL PARTS REPLACEMENT.
2.75 INCH FILL OPENING WITH VENTED CAP.
PUSH BUTTON SPIGOT.

CAPACITY: .60 GL.

ALL DIMS ARE FOR REFERENCE ONLY AND ARE SUBJECT TO CHANGE