



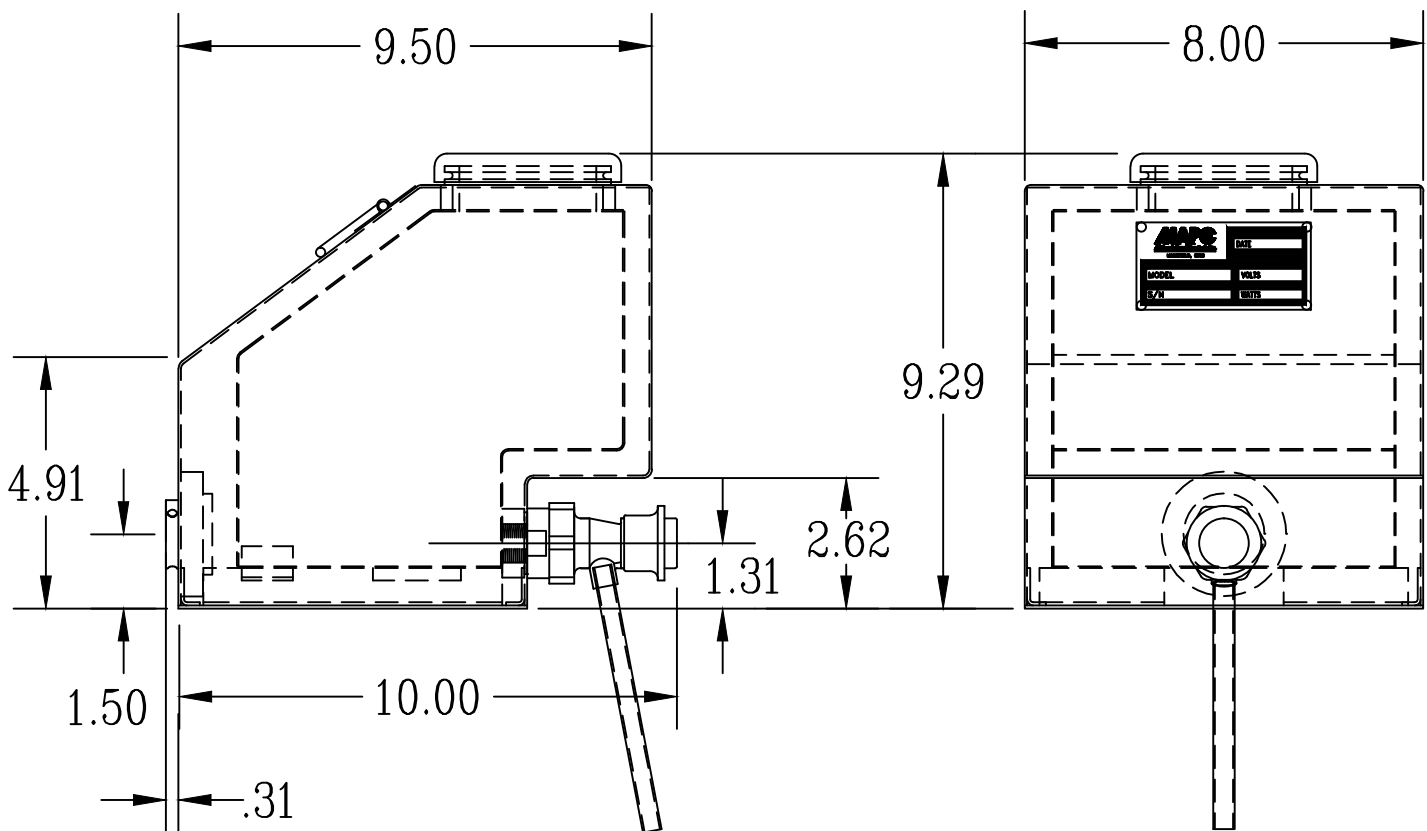
Midwest Aircraft Products Co.

LEXINGTON, OHIO
(419)884-2164

PRODUCT INFORMATION

LIQUID CONTAINER
MODEL 1218
PART NO. D11121-20

CONSTRUCTION



SPECIFICATIONS

ELECTRICAL: 28/115 VOLT - 120WATT OPERATION. 3 PIN PLUG
THERMOSTAT CONTROLLED @ 165DEG. +0R- 7DEG. F.
THERMOFUSED FOR OVERHEAT PROTECTION.

CONSTRUCTION: DOUBLE WALL STAINLESS STEEL - INSULATED.
REMOVABLE STAINLESS STEEL BOTTOM FOR EASE OF
ELECTRICAL PARTS REPLACEMENT.
2.75 INCH FILL OPENING WITH VENTED CAP.
PUSH BUTTON SPIGOT.

ALL DIMS ARE FOR REFERENCE ONLY AND ARE SUBJECT TO CHANGE