



Midwest Aircraft Products Co.

LEXINGTON, OHIO
(419)884-2164

PRODUCT INFORMATION

ICE CONTAINER/
DRAWER SLIDES

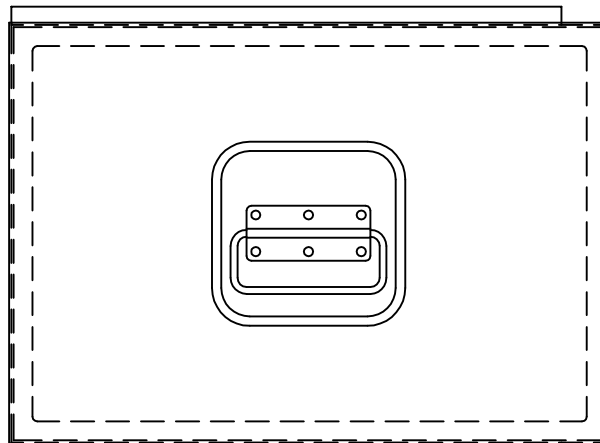
MODEL 1204

PART NO. D11017-20

CONSTRUCTION

OUTSIDE OF ALUMINUM ALLOY. INSIDE OF STAINLESS STEEL.
INSULATION BETWEEN INSIDE AND OUTSIDE. STAINLESS STEEL
CARRYING HANDLES EACH END AND TOP. LID IS COMPLETELY
REMOVABLE.

INSTALLED DRAWER IS ABLE TO TRAVEL 15 INCHES
QUICK DISCONNECT ON SLIDES TO DISENGAGE DRAWER



(6) MTG. HOLES EACH SLIDE
TO COMPARTMENT ARE CTS'K.
FOR #10 F.H.M.S.

