



Midwest Aircraft Products Co.

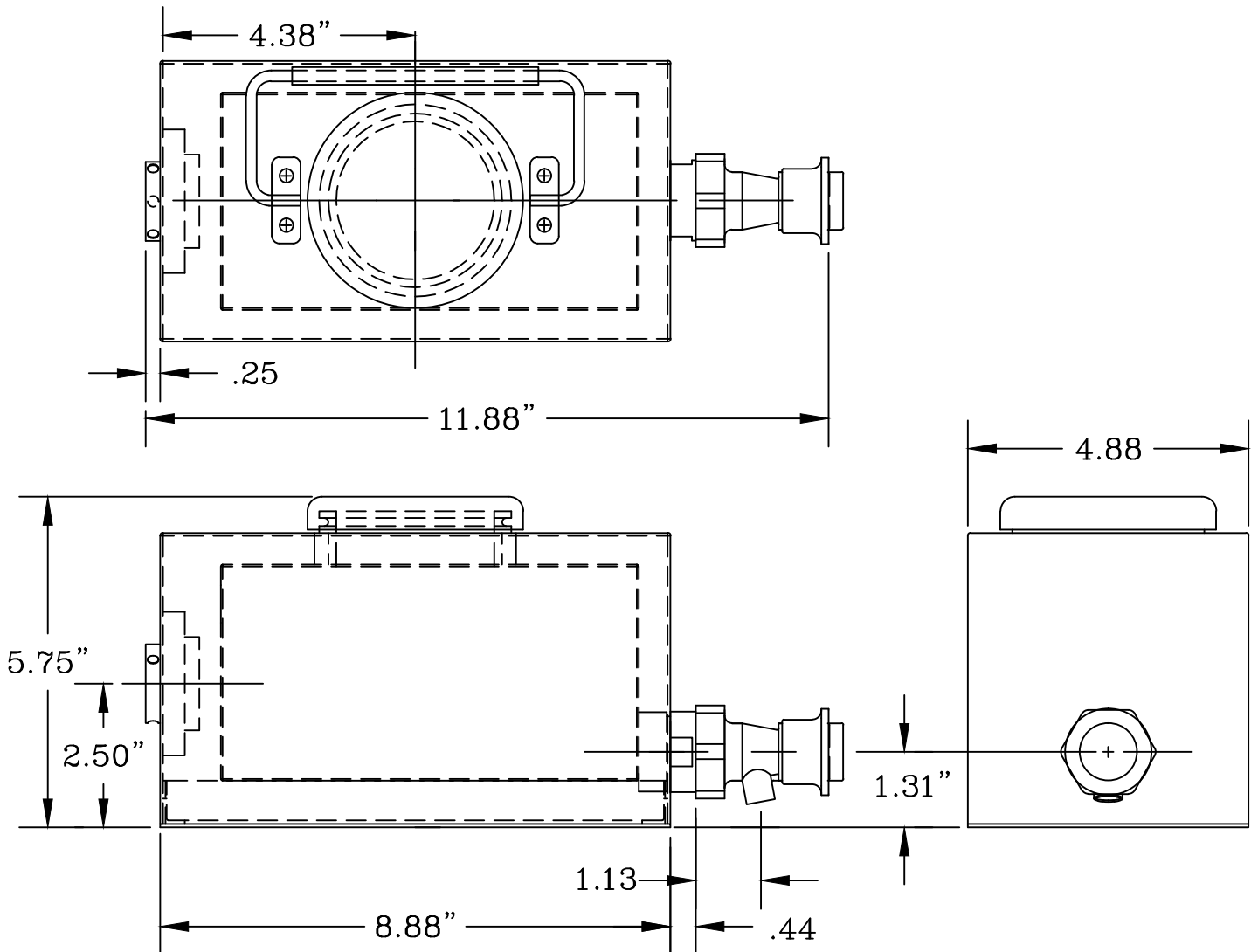
LEXINGTON, OHIO
(419)884-2164

PRODUCT INFORMATION

LIQUID CONTAINER

MODEL 1187

PART NO. D10879-20



SPECIFICATIONS:

ELECTRICAL: 28VOLTS - 120WATTS. OPERATION. 2 PIN PLUG.
THERMOSTAT CONTROLLED @ 165DEG. +OR- 7 DEG. F.
THERMOFUSED FOR OVERHEAT PROTECTION.

CAPACITY: APPROX. 1.75 QUARTS (54 OZ.) LIQUID.
CONSTRUCTION: DOUBLE WALL STAINLESS STEEL - INSULATED.
REMOVABLE STAINLESS STEEL BOTTOM FOR EASE OF
ELECTRICAL PARTS REPLACEMENT.
2.75 INCH FILL OPENING WITH VENTED CAP.
PUSH BUTTON SPIGOT.

WEIGHT: EMPTY WEIGHT 3.38 LBS (1.53 KG)