



Midwest Aircraft Products Co.

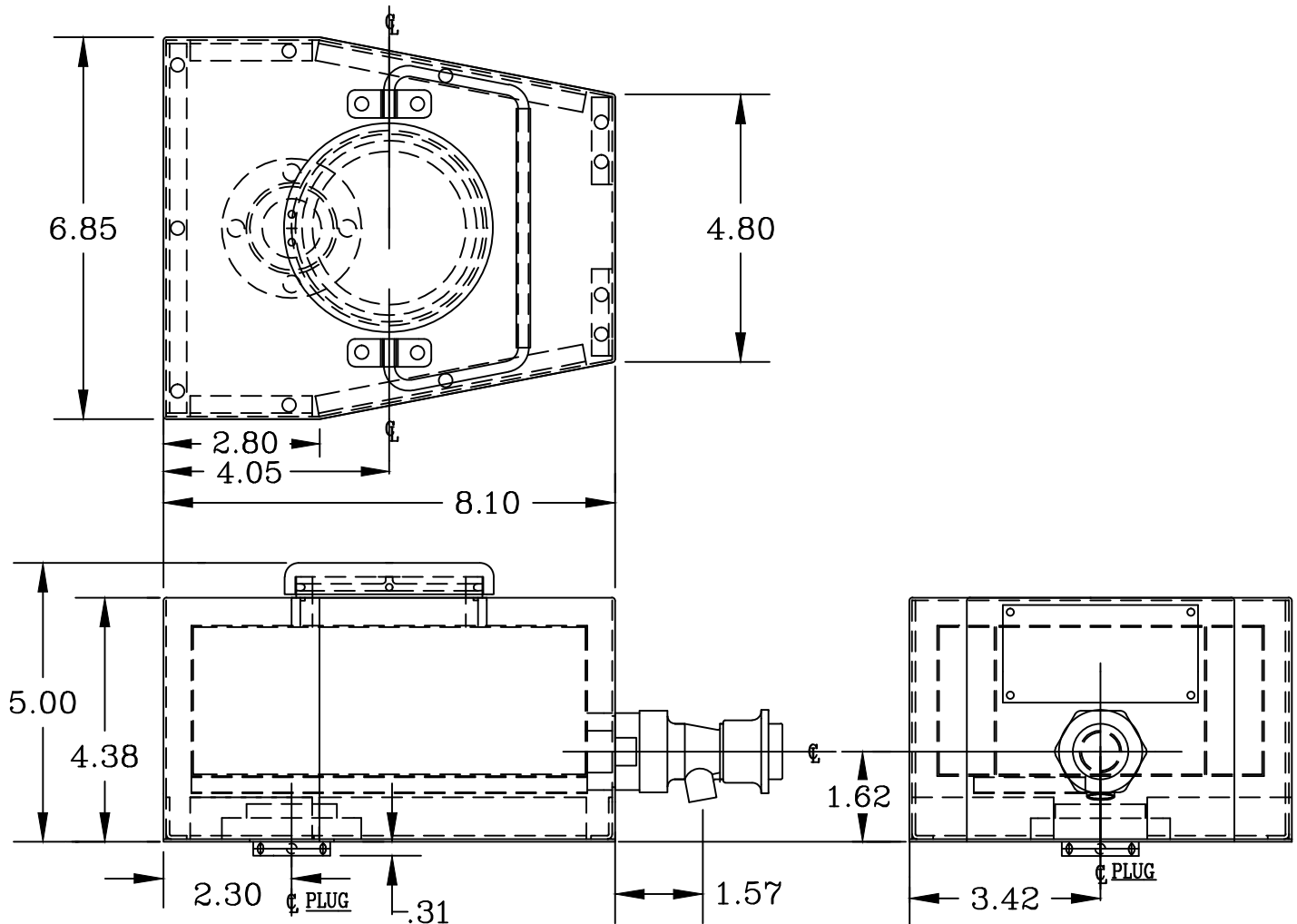
LEXINGTON, OHIO
(419)884-2164

PRODUCT INFORMATION

LIQUID CONTAINER

MODEL 1185

PART NO. D10840-20



SPECIFICATIONS

ELECTRICAL: 28VOLT - 120WATT OPERATION. 2 PIN PLUG

THERMOSTAT CONTROLLED @ 165DEG. +OR- 7DEG. F.

THERMOFUSED FOR OVERHEAT PROTECTION.

CAPACITY: 1.75 QUARTS (56 OZ.) LIQUID.

CONSTRUCTION: DOUBLE WALL STAINLESS STEEL - INSULATED.

REMOVABLE STAINLESS STEEL BOTTOM FOR EASE OF ELECTRICAL PARTS REPLACEMENT.

2.75 INCH FILL OPENING WITH VENTED CAP.

PUSH BUTTON SPIGOT.

WEIGHT: 6.75 LBS. - 3.06 KGS.