



Midwest Aircraft Products Co.

*LEXINGTON, OHIO
(419)884-2164*

PRODUCT INFORMATION

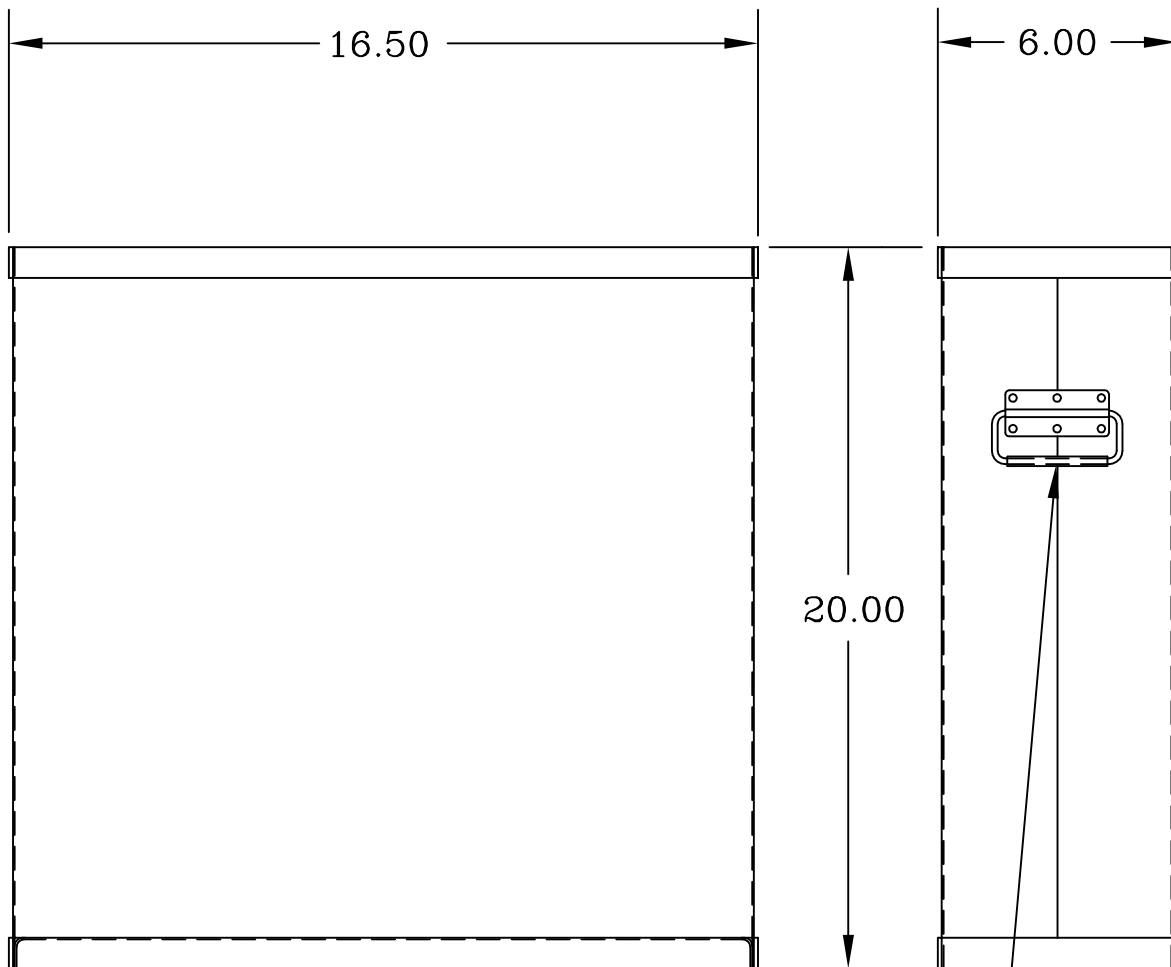
WASTE CONTAINER

MODEL 1160

PART NO. D10614-20

CONSTRUCTION

CONTAINER OF ALUMINUM ALLOY. HELIARC WELDED, SPOTWELDED, RIVETED, AND SEALED FOR A DURABLE WATERTIGHT CONTAINER.



STAINLESS STEEL HANDLE
ON FRONT SIDE ONLY.