



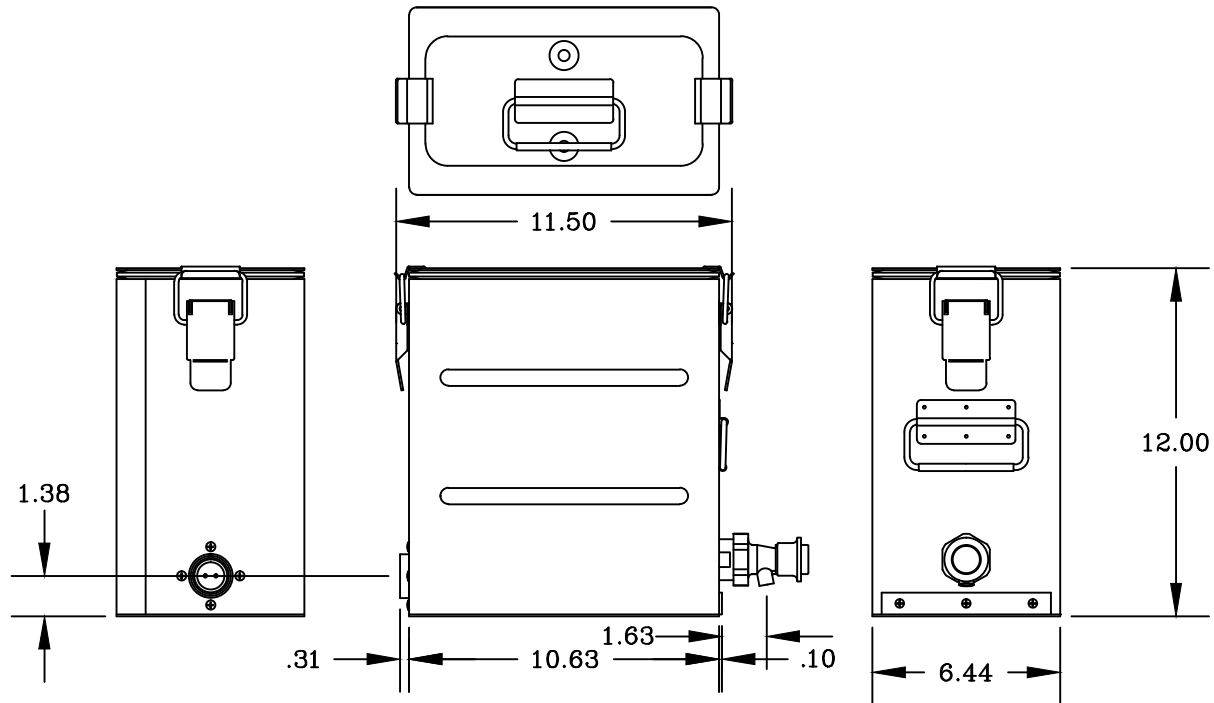
Midwest Aircraft Products Co.

LEXINGTON, OHIO
(419)884-2164

PRODUCT INFORMATION

LIQUID CONTAINER

MODEL 1158 - 1.75 GAL.
PART NO. D10605-
SEE DASH NO. BELOW



SPECIFICATIONS:

ELECTRICAL: MODEL 1158 D10605-20 115 VOLT 120 WATT 2 PIN PLUG
MODEL 1158A D10605-30 28 VOLT 120 WATT 2 PIN PLUG
MODEL 1158B D10605-40 28/115 VOLT 120 WATT 3 PIN PLUG
THERMOSTAT CONTROLLED @ 165DEG. +OR- 7 DEG. F.
THERMOFUSED FOR OVERHEAT PROTECTION.

CAPACITY: APPROX. 1.75 GALLON LIQUID.

CONSTRUCTION: DOUBLE WALL STAINLESS STEEL - INSULATED.
REMOVABLE STAINLESS STEEL BOTTOM FOR EASE OF
ELECTRICAL PARTS REPLACEMENT.
PUSH BUTTON SPIGOT.

WEIGHT: EMPTY WEIGHT 13.0 LBS (5.90 KG)