

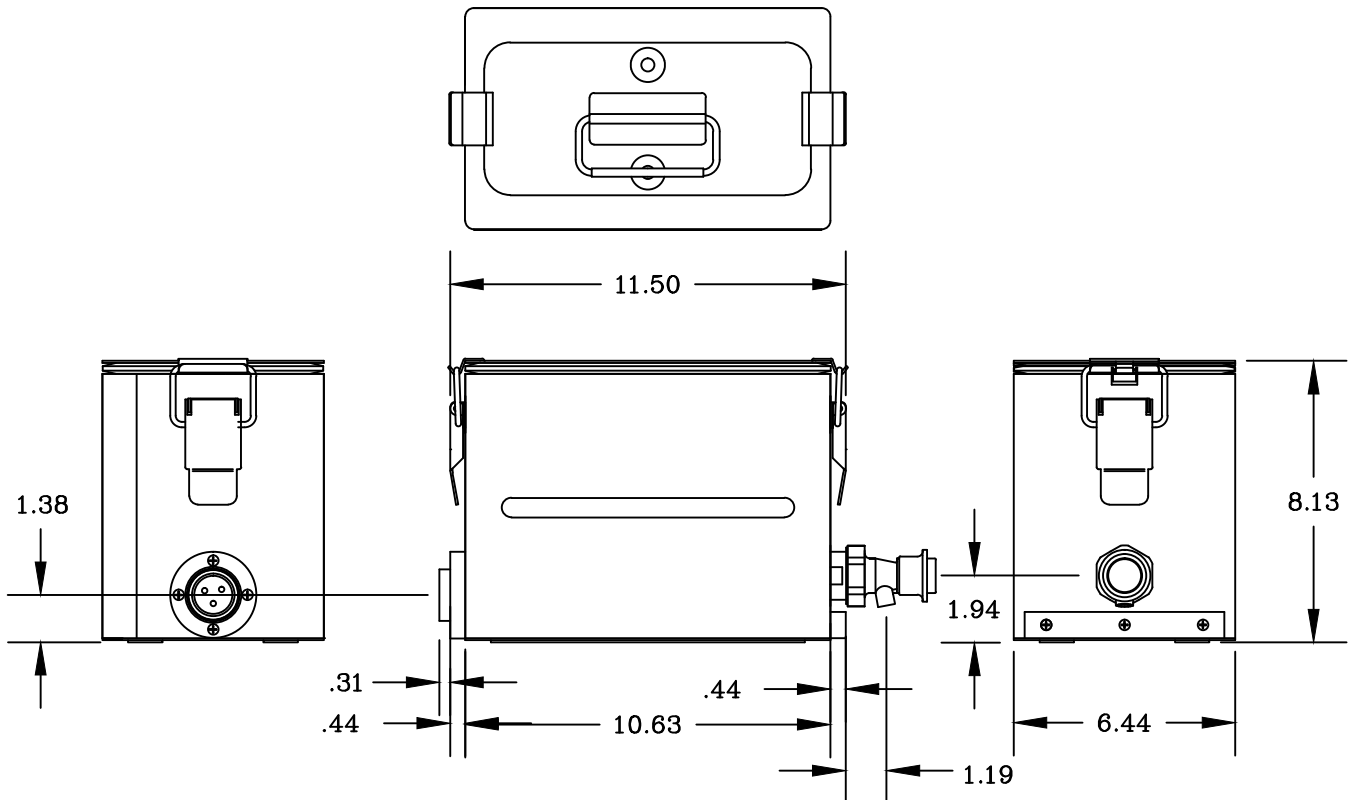


Midwest Aircraft Products Co.

LEXINGTON, OHIO
(419)884-2164

PRODUCT INFORMATION

LIQUID CONTAINERS
MODEL 1097 - 1 GAL.
PART NO. D10134-
SEE DASH NO. BELOW



SPECIFICATIONS:

ELECTRICAL: MODEL 1097 D10134-20 28/115 DUAL VOLTAGE 120 WATT 3 PIN PLUG
MODEL 1097A D10134-30 28 VOLT 120 WATT 2 PIN PLUG
MODEL 1097B D10134-40 115 VOLT 120 WATT 2 PIN PLUG
MODEL 1097C D10134-50 28 VOLT 120 WATT 3 PIN PLUG
THERMOSTAT CONTROLLED @ 165DEG. +OR- 7 DEG. F.
THERMOFUSED FOR OVERHEAT PROTECTION.
DRAWN AMPS: @28V - 4.29 AMPS
@115V - 1.04 AMPS

CAPACITY: APPROX. 2.0 GALLON LIQUID.

CONSTRUCTION: DOUBLE WALL STAINLESS STEEL - INSULATED.
REMOVABLE STAINLESS STEEL BOTTOM FOR EASE OF
ELECTRICAL PARTS REPLACEMENT.
PUSH BUTTON SPIGOT.

WEIGHT: EMPTY WEIGHT 12.0 LBS (5.44 KG)