

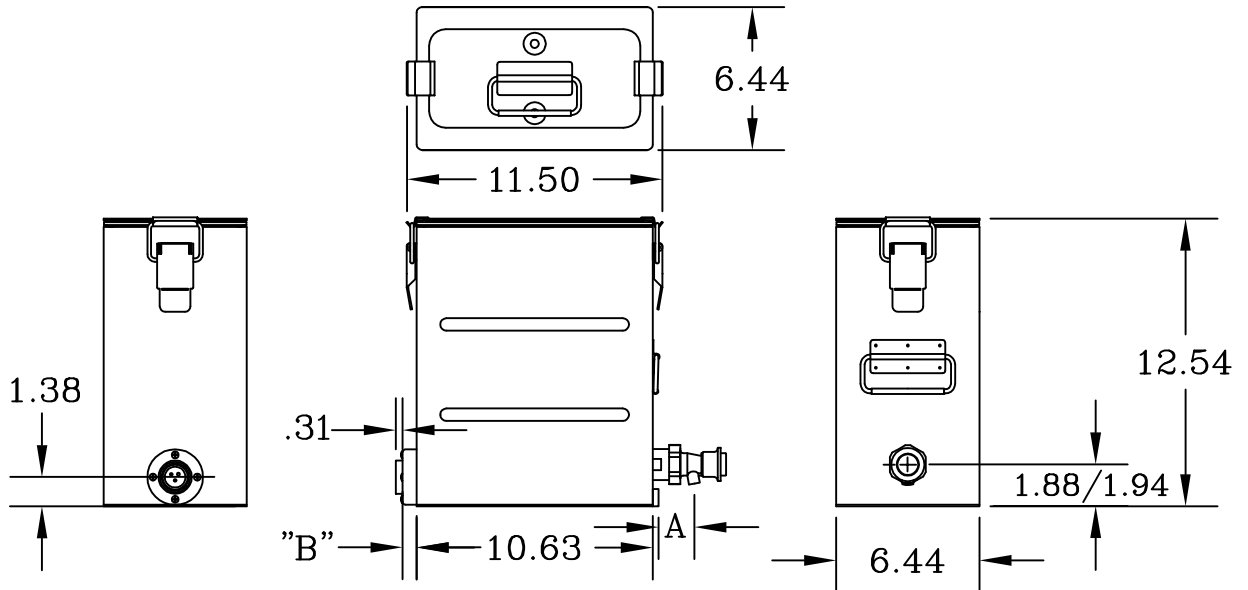


**Midwest Aircraft Products Co.**

LEXINGTON, OHIO  
(419)884-2164

PRODUCT INFORMATION

LIQUID CONTAINERS  
MODEL 1095 - 2 GAL.  
PART NO. D10120 -  
SEE DASH NO. 2nd SHEET



DESCRIPTION AND OPERATION

1. Description and Operation

A. Liquid containers are designed to transport and dispense liquids and maintain the temperature of the contents within the limits prescribed by the United States Public Health Department.

B. Power for the container is supplied from a galley mounted receptacle controlled by a circuit breaker on the galley switch panel.

C. The container is heliarc welded stainless steel construction, insulated. The bottom is sealed to prevent entrance of moisture. The container, however, is not watertight, which means it cannot be immersed in water. Bottom is removeable for parts replacement.

D. With power applied, hot liquids, (water, coffee, tea, hot chocolate, and some soups) may be held at 180 Deg. F. for unlimited time. With no power applied, these liquids, with an internal temperature of 180 Deg. F., may be held up to five hours before the internal temperature falls below 140 Deg. F..

E. With no power applied and the addition of ice to the liquid, cold liquids may be carried up to six or seven hours.

2. Specifications

Liquid Capacity (U.S. Gallons).....2 Gal.

Weight (Dry With Heating Unit).....14 Lbs.

Drawn Amps:.....@28V IS 4.29 AMPS  
@115V IS 1.04 AMPS



**Midwest Aircraft Products Co.**

LEXINGTON, OHIO  
(419)884-2164

PRODUCT INFORMATION

LIQUID CONTAINERS  
MODEL 1095 - 2 GAL.

PART NO. D10120-  
SEE DASH NO. BELOW

1095 SERIES HOT LIQUID CONTAINERS

MODEL NO.	PART NO.	VOLTS	PLUG/PINS	SPACER BAR	SPACER BAR THK.	"A"	"B"	SPIGOT	ICE WELL LID
1095	D10120-20	28/115	3	FRONT	.44	1.19	.44	STD	NONE
1095A	D10120-30	28/115	3	NONE	NONE	1.88	.63	STD	NONE
1095B	D10120-40	28	2	FRONT	.44	1.19	.44	STD	NONE
1095C	D10120-50	115	2	FRONT	.44	1.19	.44	STD	NONE
1095D	D10120-100	28/115	3	FRONT SIDES AND BOTTOM	.44	1.19	.44	STD	YES
1095E	D10120-110	28/115	3	FRONT	.31	1.44	.63	OPT	NONE
1095BC	D10120-60	28	2	FRONT	.44	1.19	1.06	STD	NONE
1095BR	D10120-70	28/115	3	FRONT	.44	1.44	.44	OPT	NONE
1095IW	D10120-80	28/115	3	NONE	.44	1.19	.44	STD	YES
1095A-30A	D10120-30A	28/115	3	FRONT	.25	1.38	.63	STD	NONE
1095A-40A	D10120-90	28	2	NONE	NONE	1.88	.63	STD	NONE

1095 SERIES COLD LIQUID CONTAINERS (NO HEAT)

MODEL NO.	PART NO.	VOLTS	PLUG/PINS	SPACER BAR	SPACER BAR THK.	"A"	"B"	SPIGOT	ICE WELL LID
1095-200	D10120-200-20	N/A	N/A	NONE	NONE	NONE	NONE	STD	NONE
1095-200A	D10120-200-30	N/A	N/A	FRONT	.44	1.19	NONE	STD	NONE
1095-200B	D10120-200-40	N/A	N/A	BOTH	.44	1.19	NONE	STD	NONE