



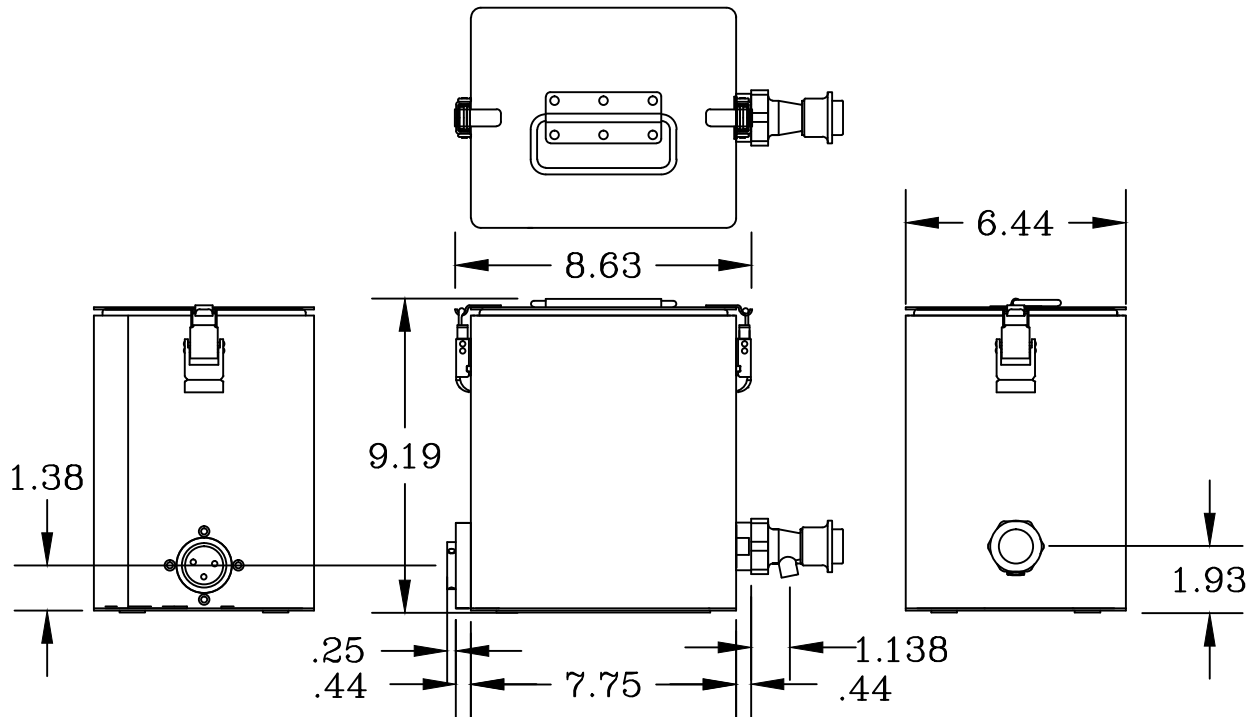
**Midwest Aircraft Products Co.**

LEXINGTON, OHIO  
(419)884-2164

## PRODUCT INFORMATION

LIQUID CONTAINER  
2 QUART

MODEL 1060  
PART NO. D10139-20



### SPECIFICATIONS:

**ELECTRICAL:** MODEL 1060: 28/115VOLTS - 120WATTS. OPERATION. 3 PIN PLUG.  
MODEL 1060A: 28VOLTS - 120WATTS. OPERATION. 2 PIN PLUG.  
THERMOSTAT CONTROLLED @ 165DEG. +OR- 7 DEG. F.  
THERMOFUSED FOR OVERHEAT PROTECTION.

**CAPACITY:** APPROX. 2.0 QUARTS LIQUID.

**CONSTRUCTION:** DOUBLE WALL STAINLESS STEEL - INSULATED.  
REMOVABLE STAINLESS STEEL BOTTOM FOR EASE OF  
ELECTRICAL PARTS REPLACEMENT.  
PUSH BUTTON SPIGOT.

**WEIGHT:** EMPTY WEIGHT 11.0 LBS (5.0 KG)