



**Midwest Aircraft Products Co.**

LEXINGTON, OHIO  
(419)884-2164

PRODUCT INFORMATION

LIQUOR KIT CARRIER  
MODEL 1009

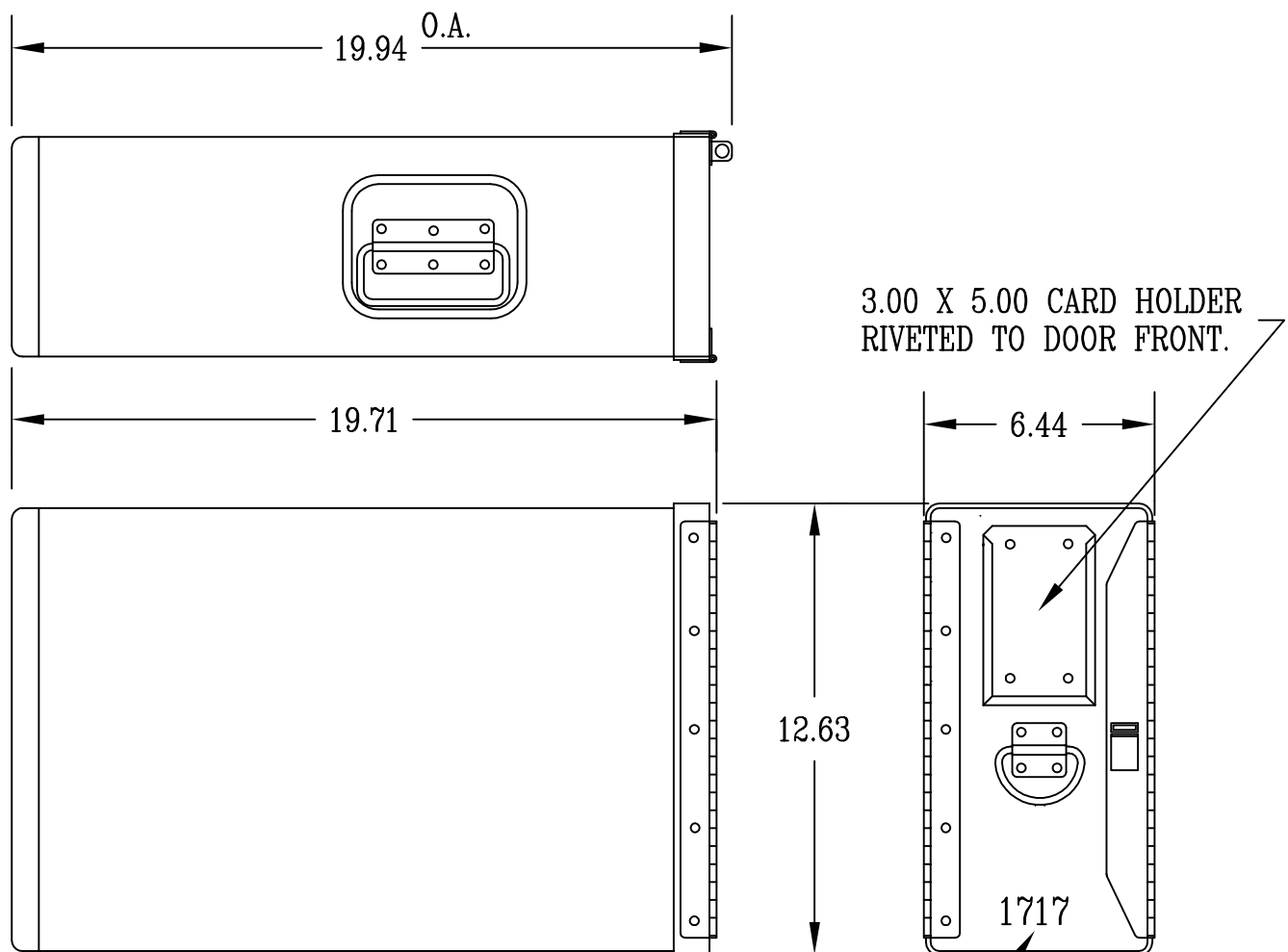
PART NO. D3074-20

CONSTRUCTION

CONTAINER OF ALUMINUM ALLOY WITH STAINLESS STEEL HINGES, LOCK HASP, HANDLE AND FRONT PULL RING.

HELIARC WELD, SPOT WELD AND RIVET CONSTRUCTION.

CAPACITY- FOUR ONE LITER BOTTLES.



SERIAL NUMBER MAY BE  
ENGRAVED ON DOOR  
FRONT PER CUSTOMER  
REQUIREMENT.